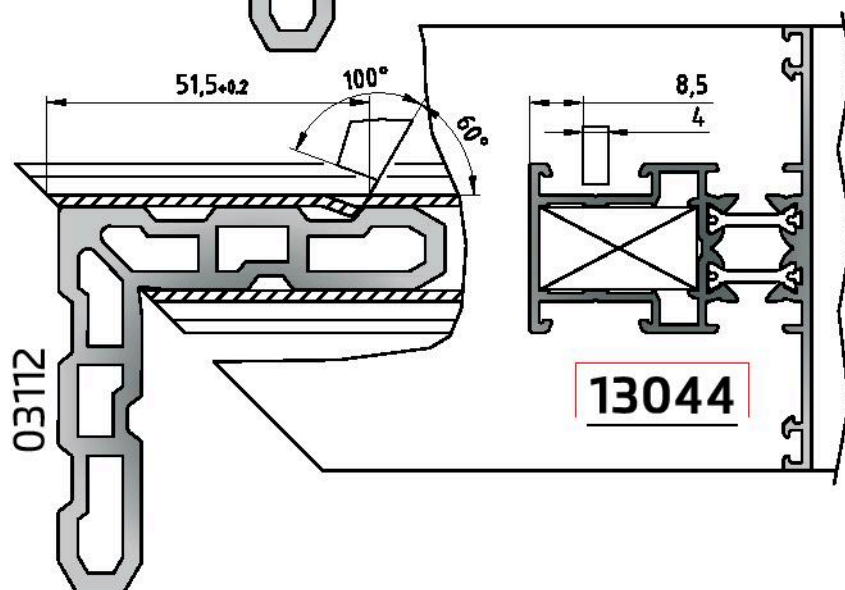
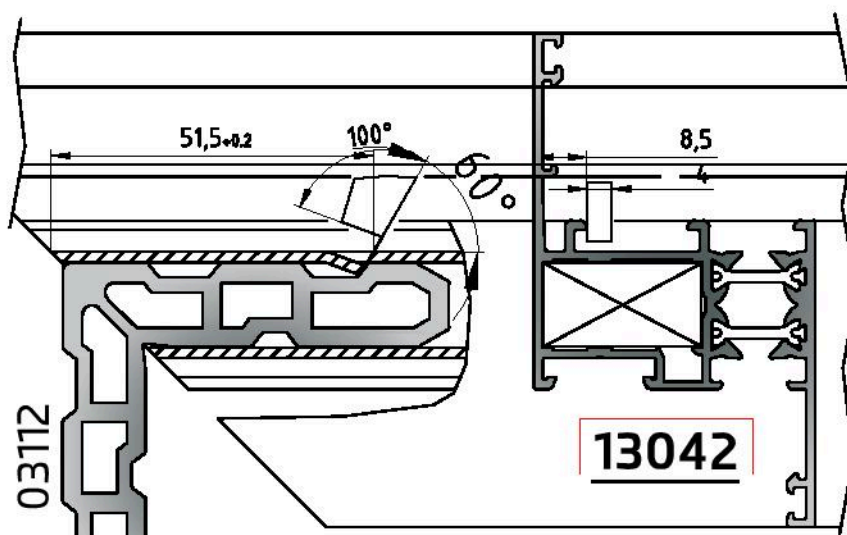
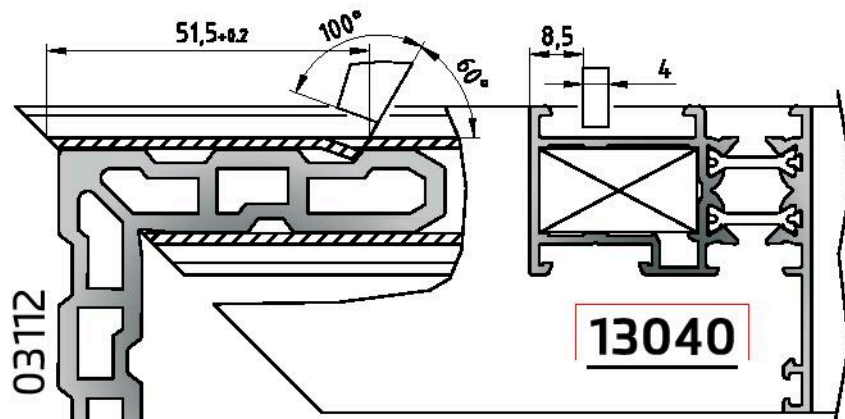


4.10

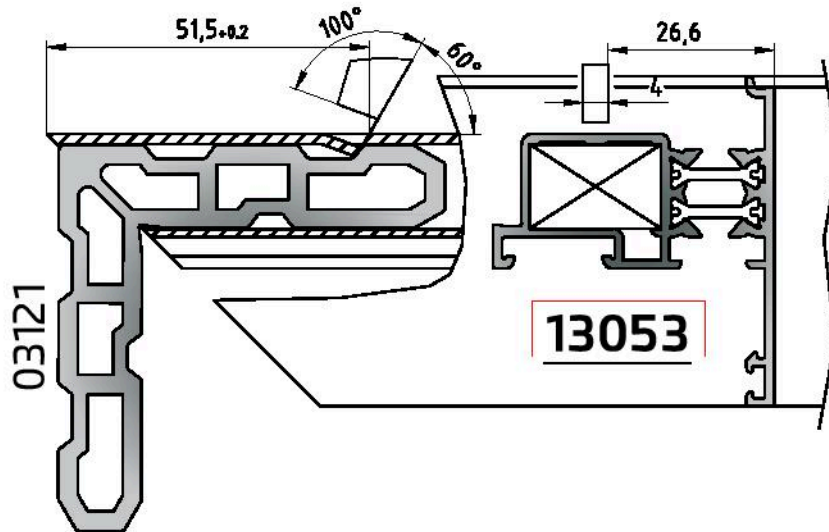
BREDI-H® Hardware:Installation



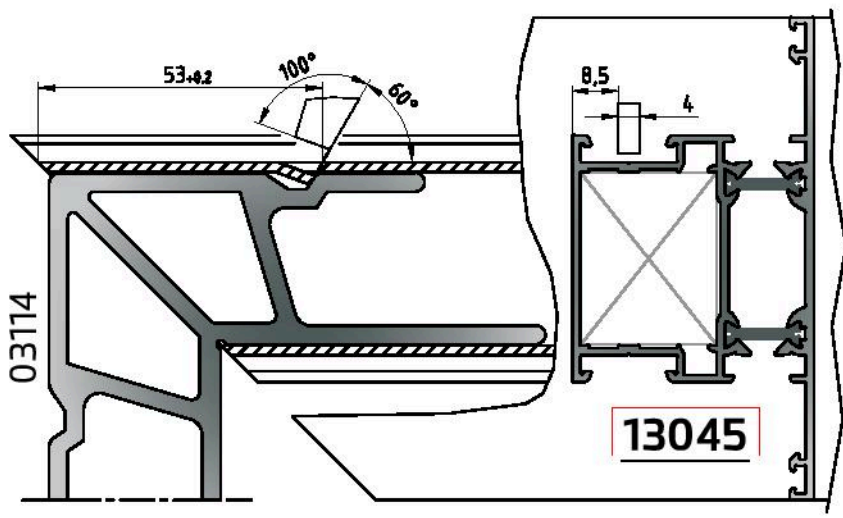
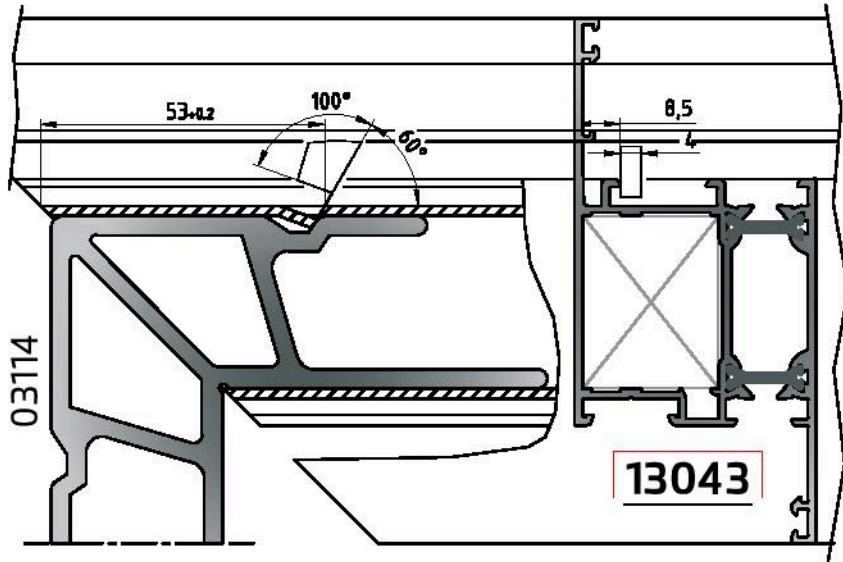
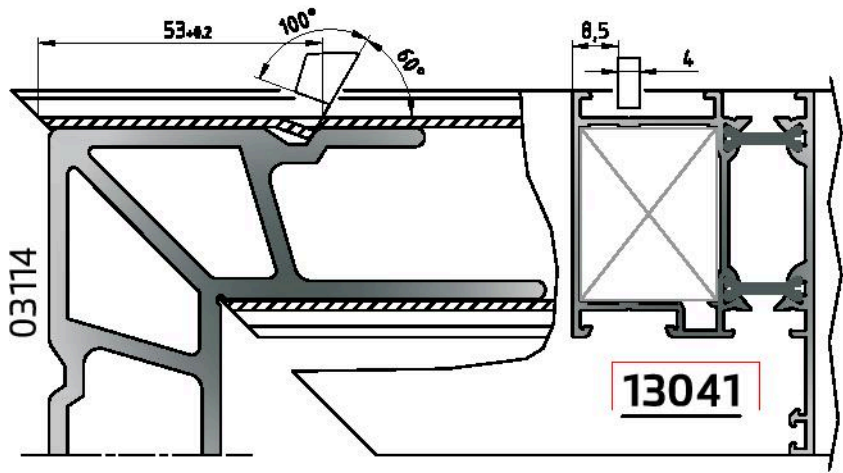


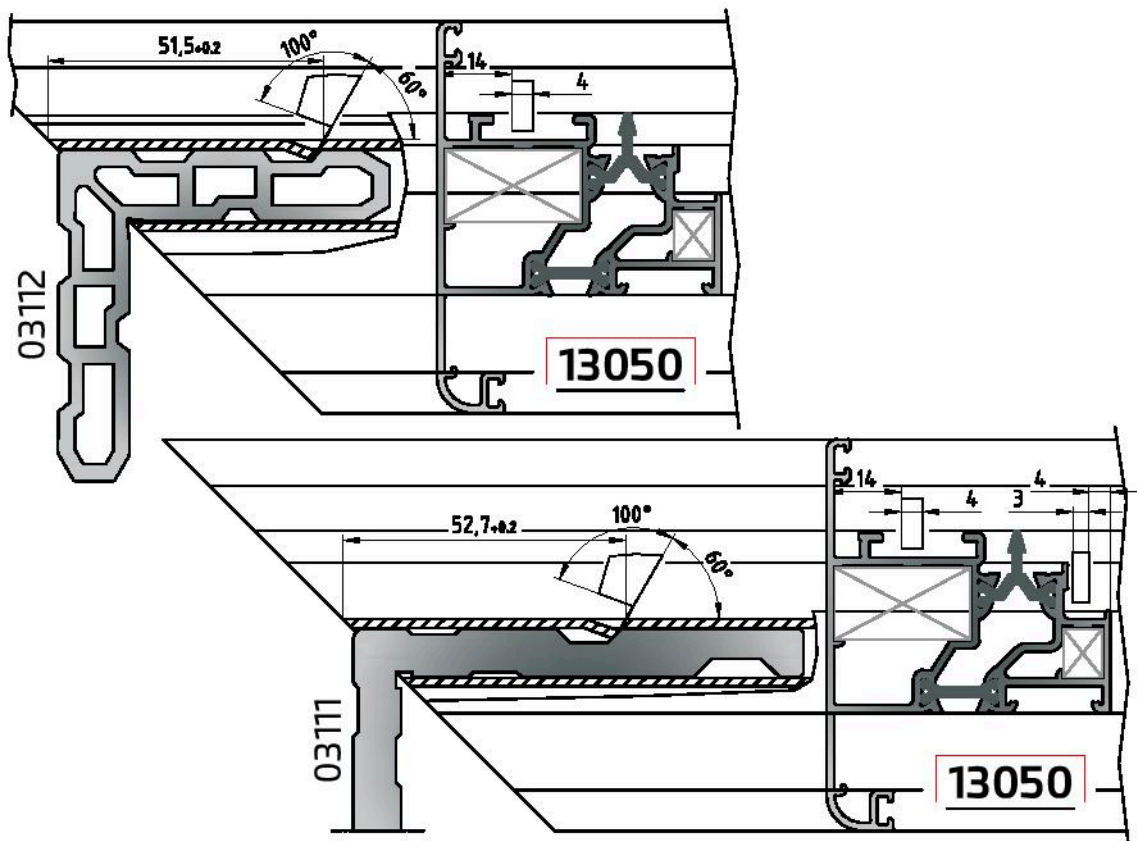
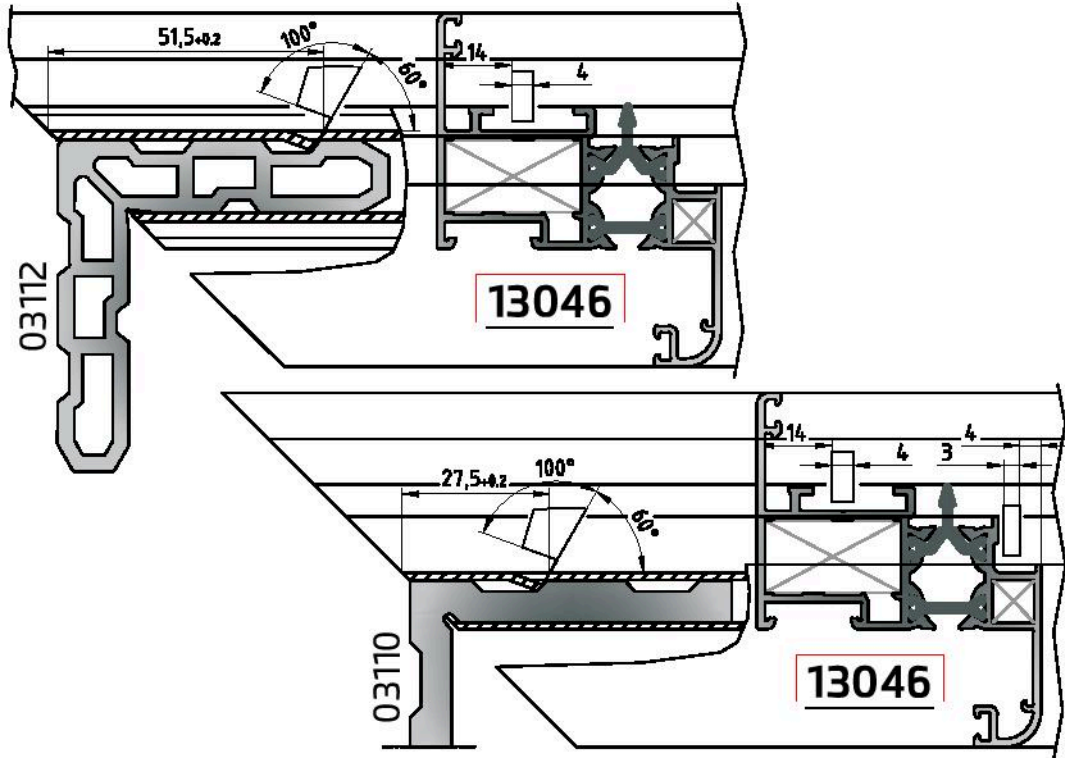
BREDI-H

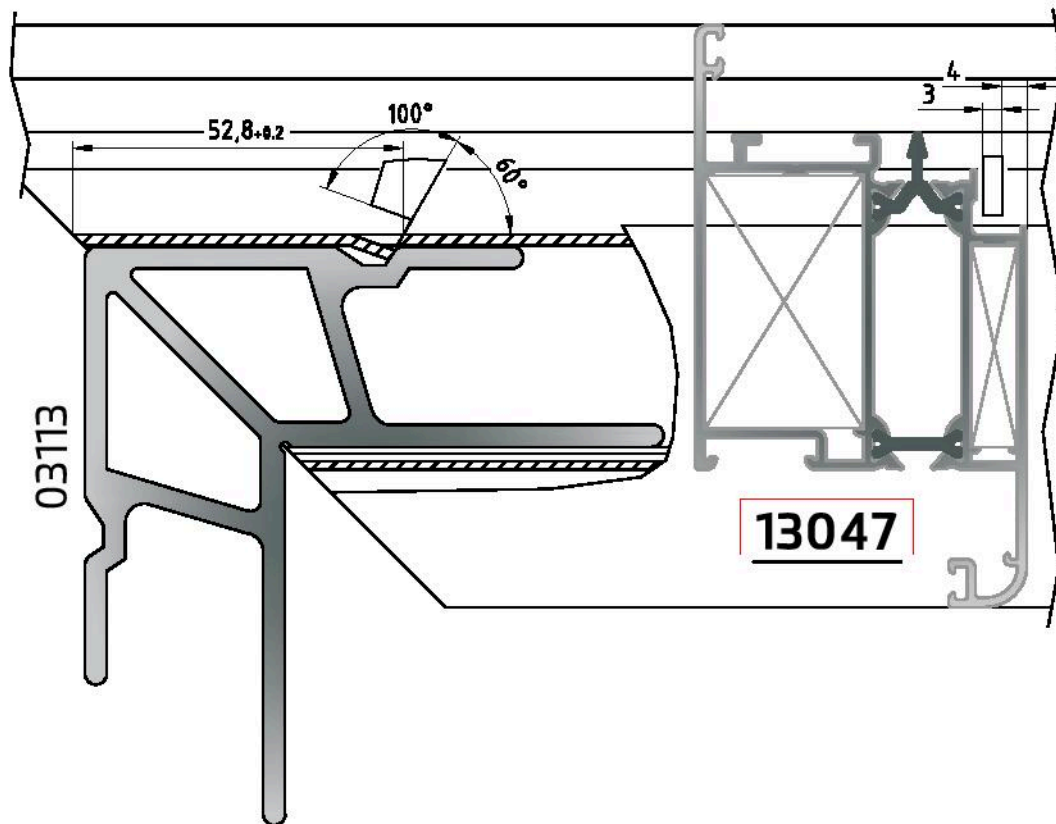
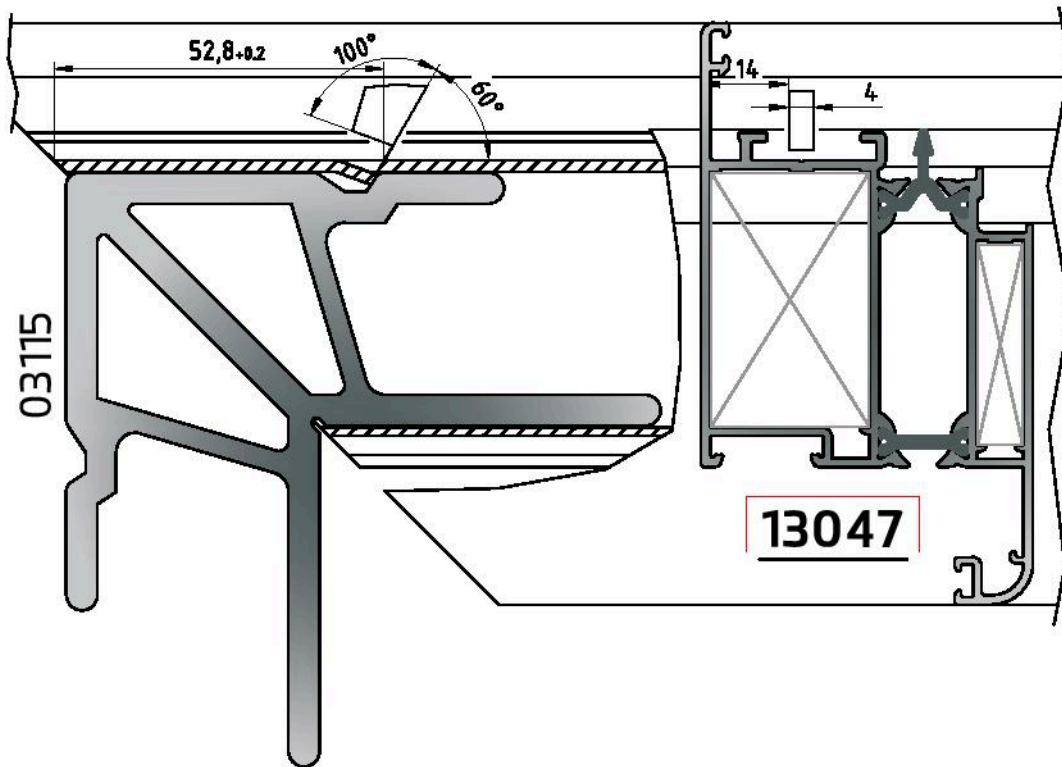
BREDI®

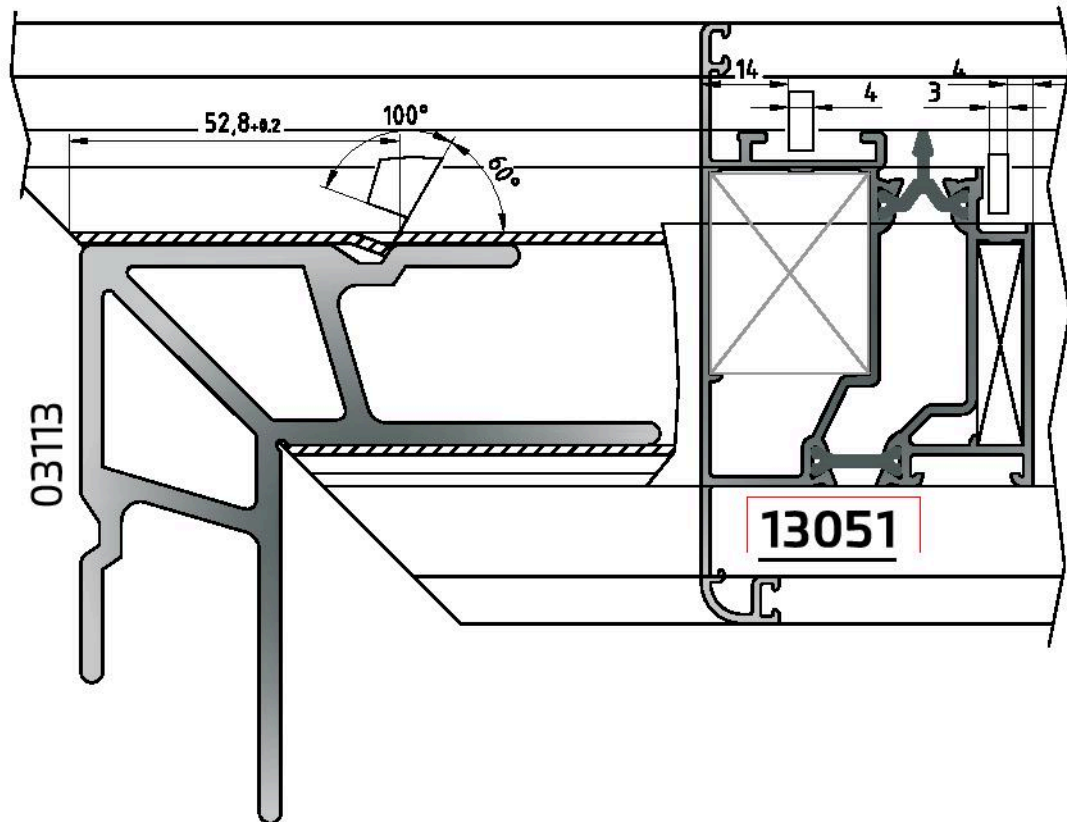
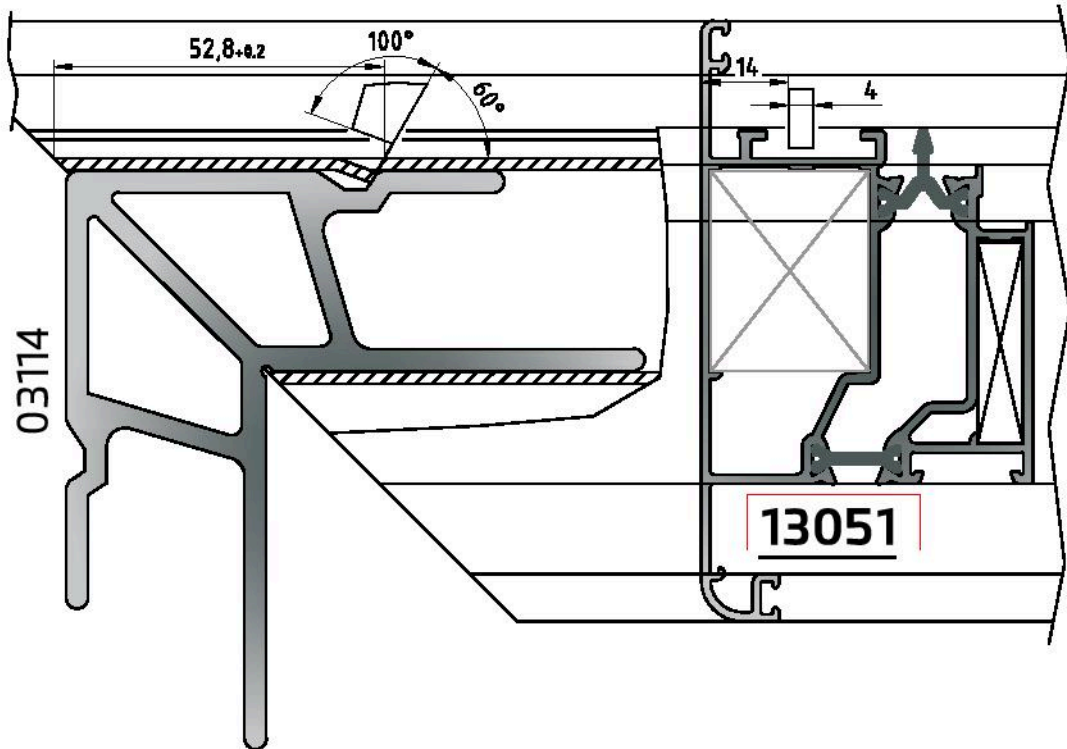


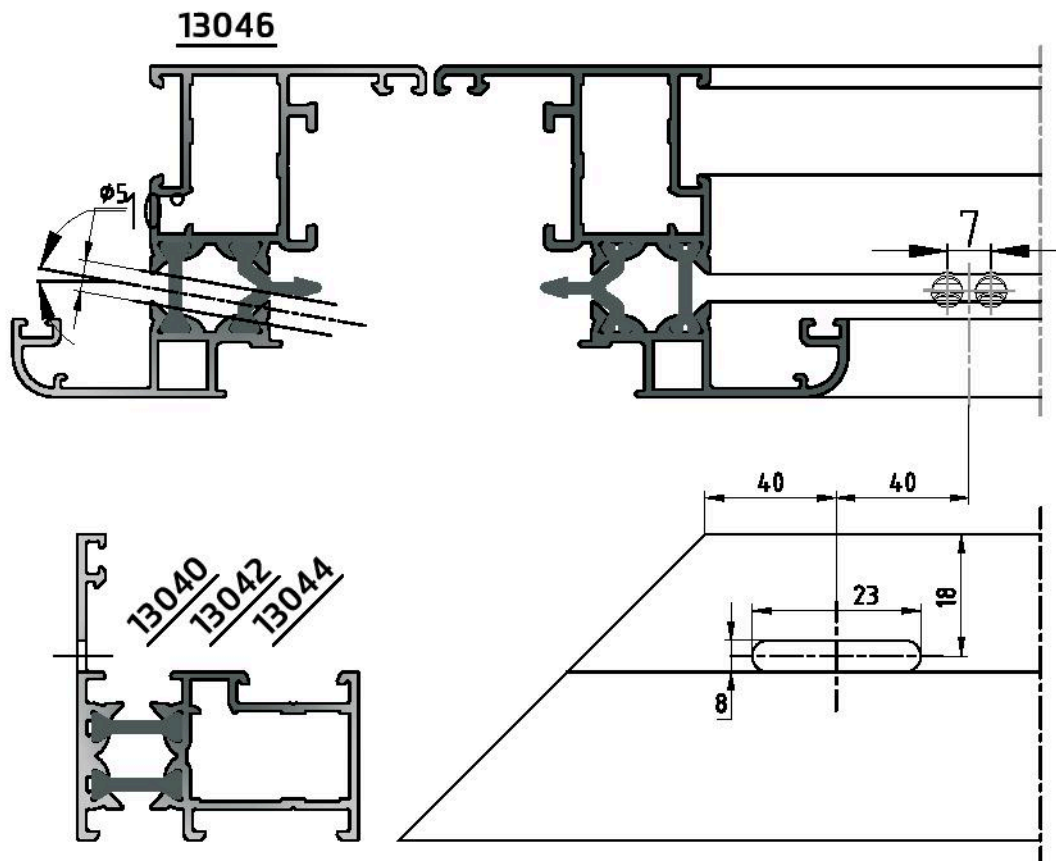
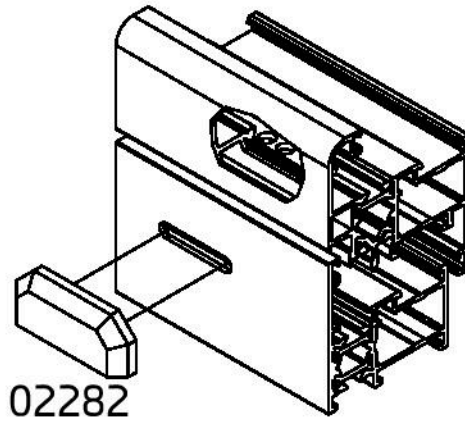
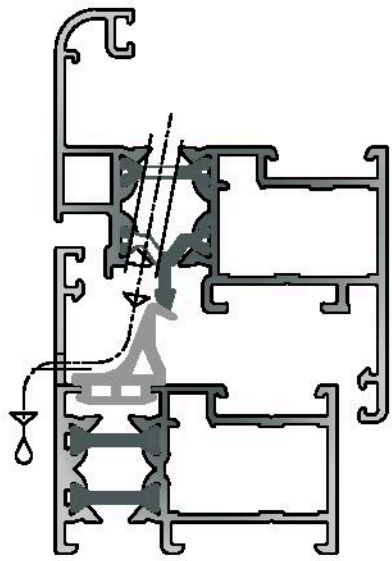
4.10 BREDI-H® Hardware Joint Installations







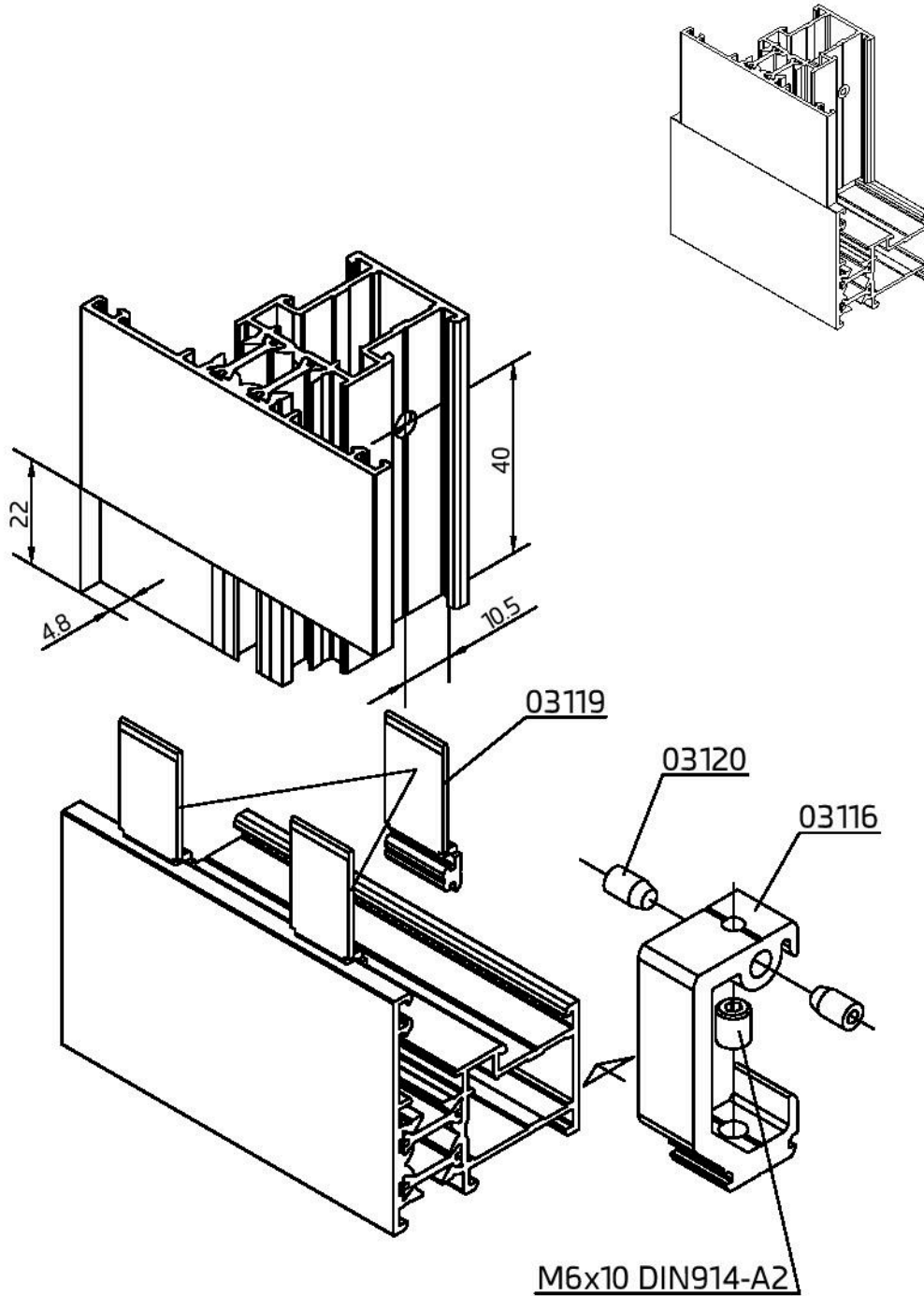


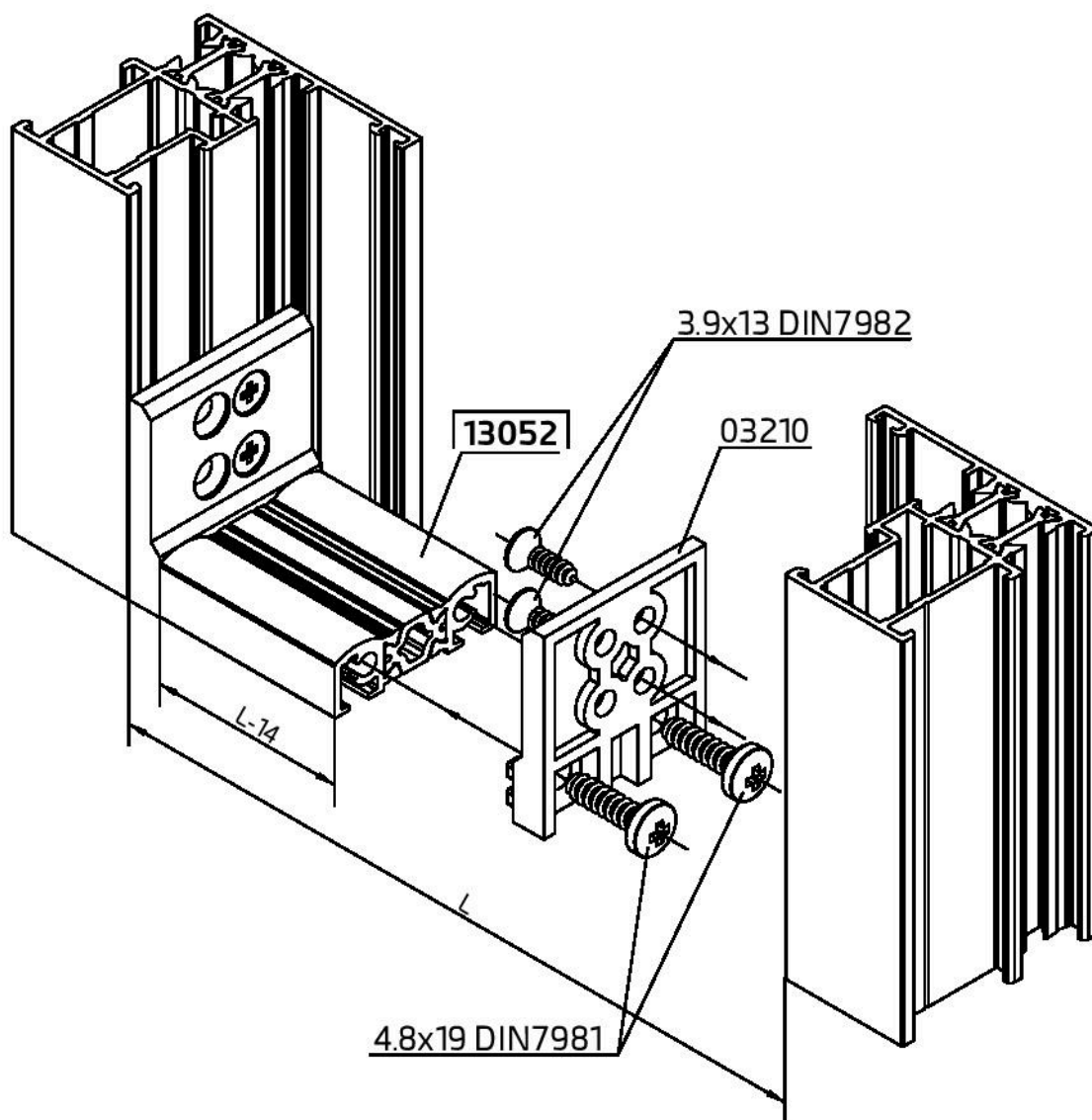


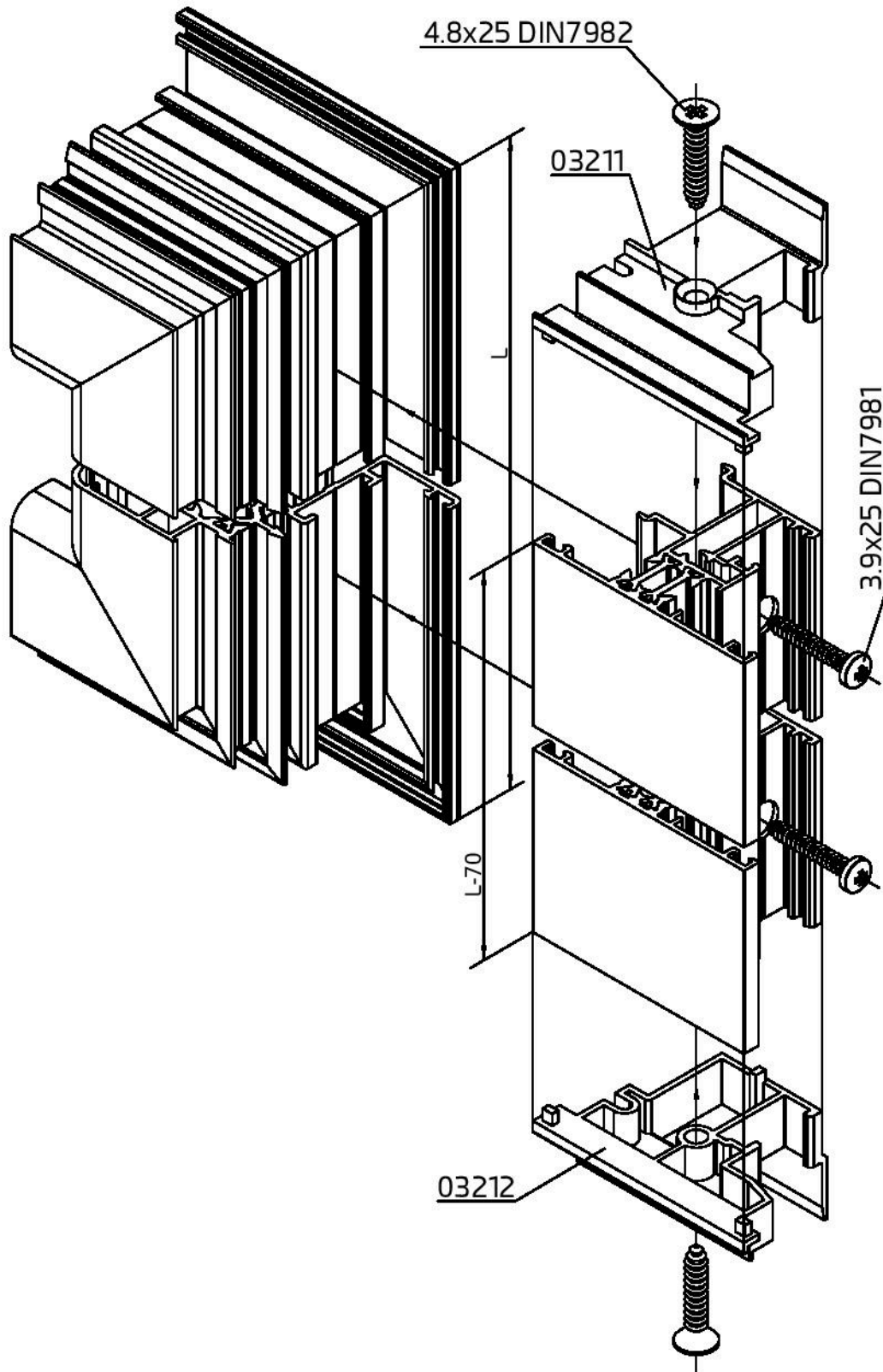


BREDI-H

BREDI®

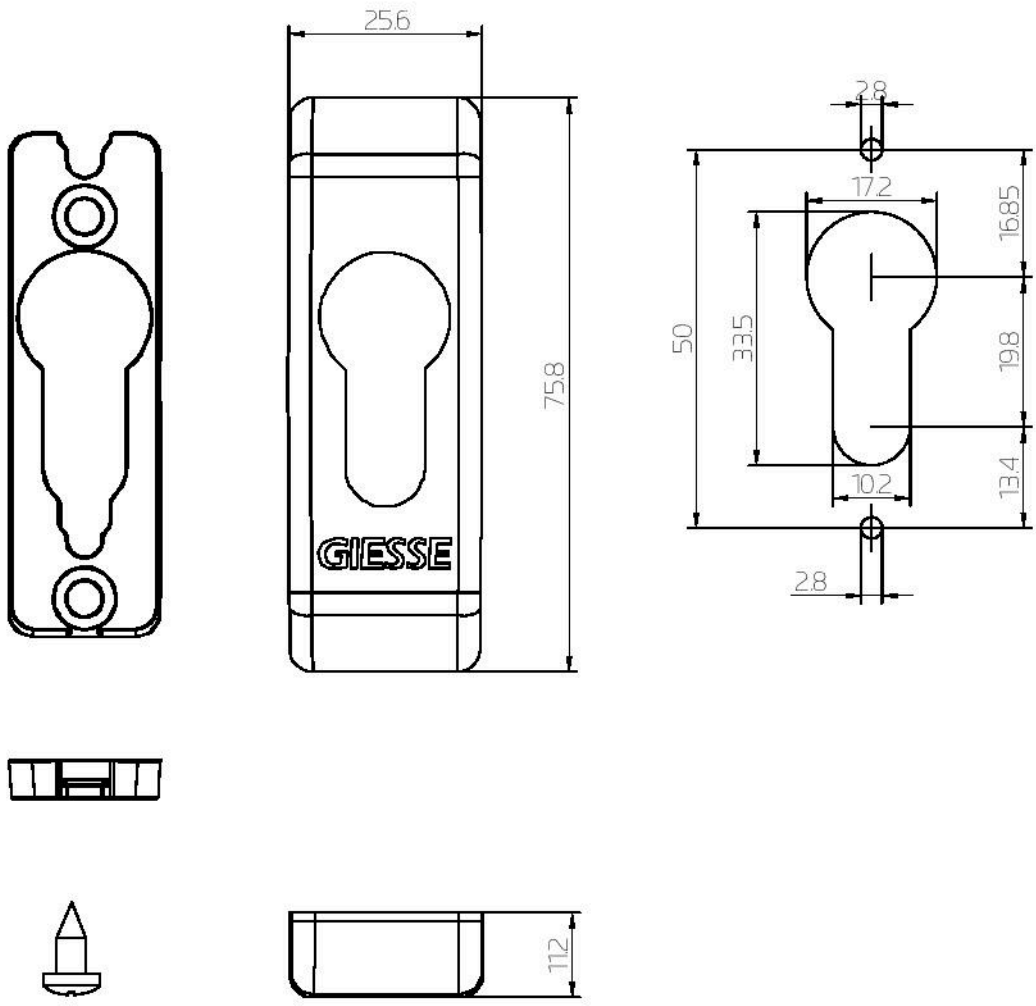






ITEM CODE	DESCRIPTION	NOTE	UNIT	QTY
07058N	OVAL ROSETTE FOR MACHINED CYL.	1 SET= 2 COVERS + COVER PLATES	Pcs.	as per order
02430	CYLINDER COVER PLATE	1 SET= 1 COVER + 1 COVER PLATE	Pcs.	as per order

ITEM CODE	DESCRIPTION	NOTE	UNIT	QTY
04476N	CYLINDER COVER PLATE		Pcs.	as per order

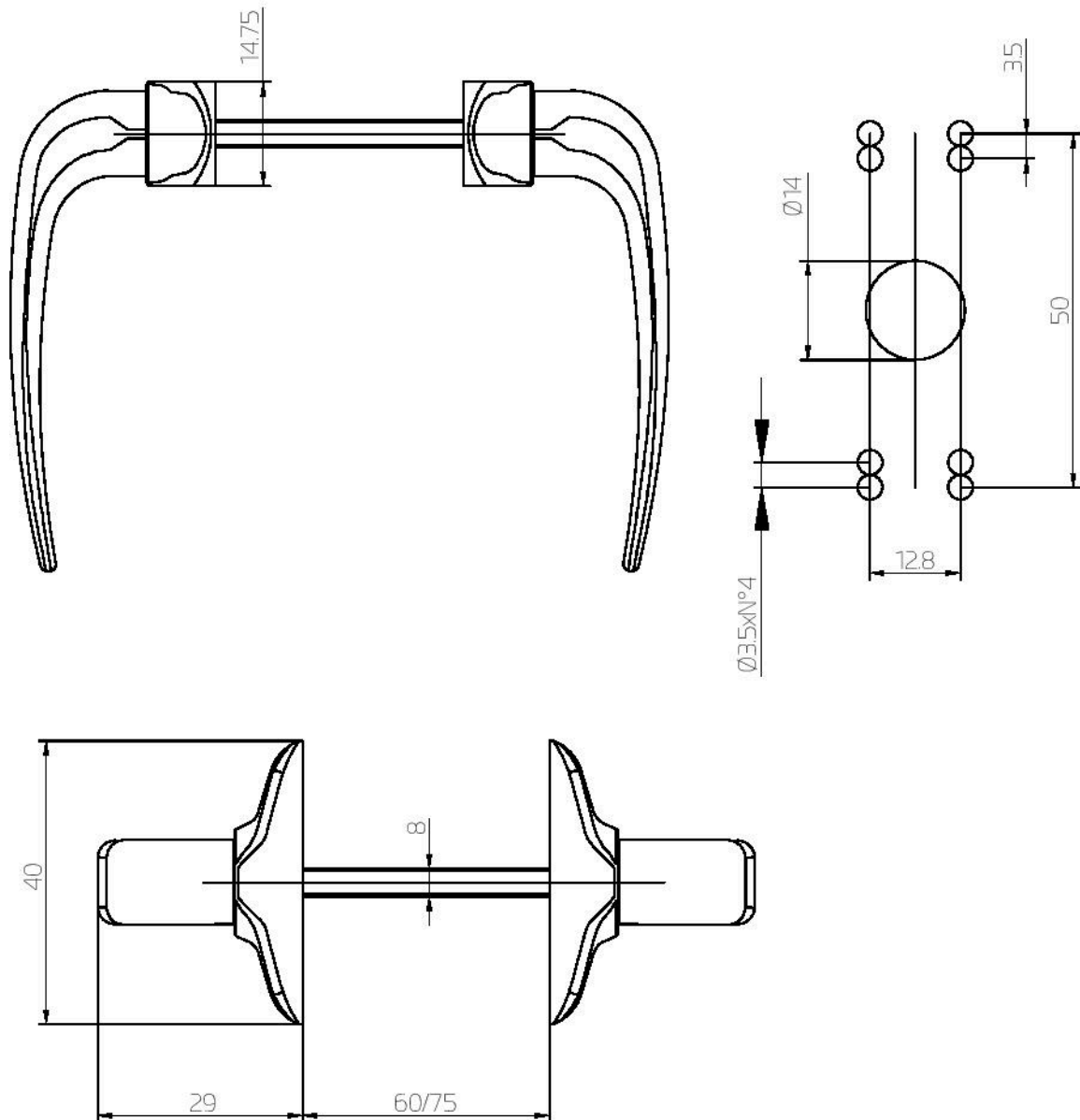




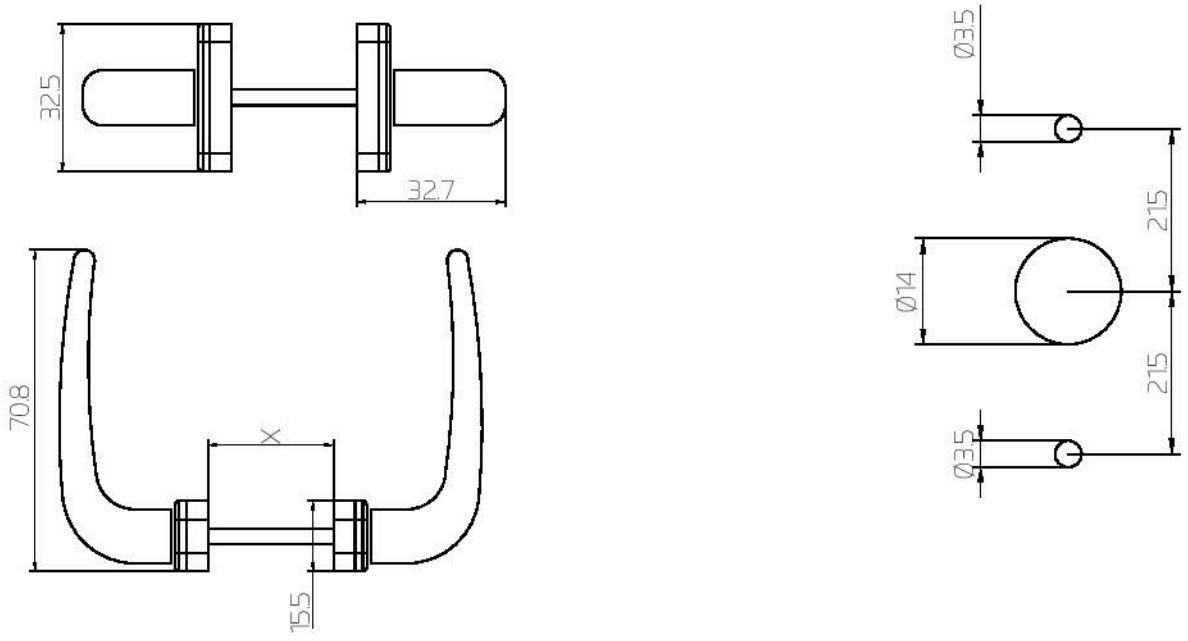
BREDI-H

BREDI®

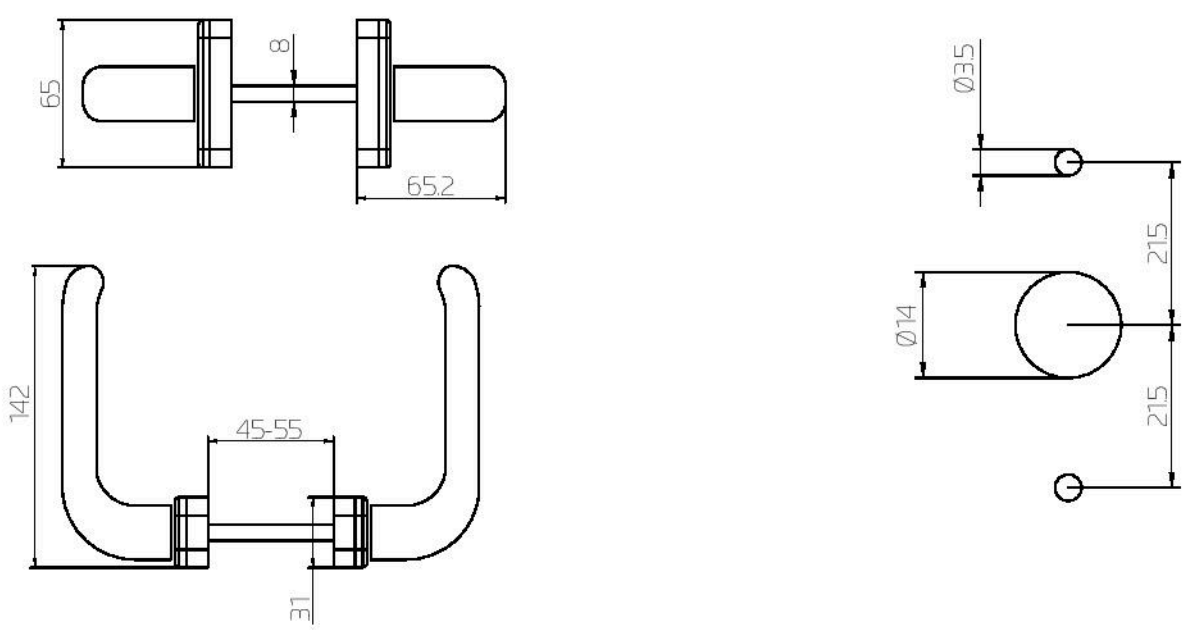
ITEM CODE	DESCRIPTION	NOTE	UNIT	QTY
07050V	FLORA HANDLE	PAIR	Pcs.	as per order



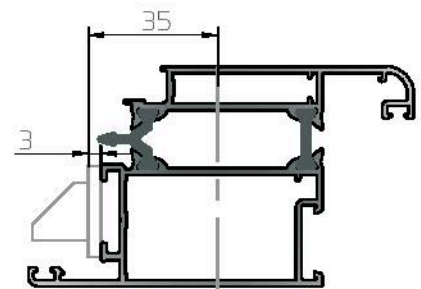
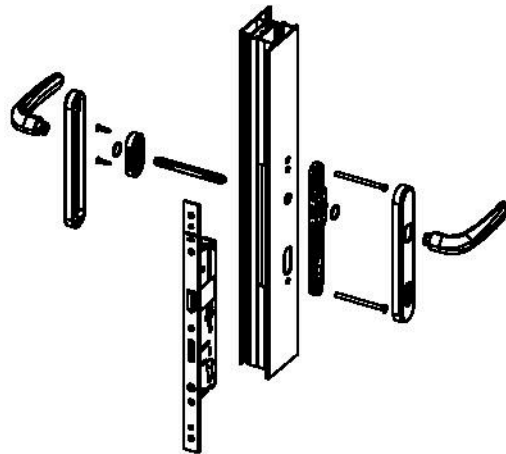
ITEM CODE	DESCRIPTION	NOTE	SQUARE SPINDLE [mm]	X [mm]	UNIT	QTY
02472	PRIMA HANDLE	PAIRS	8X8X110	45/55	Pcs.	as per order



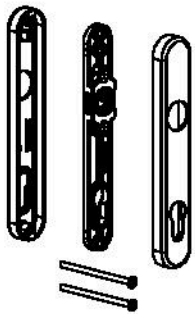
02462	SUPERMASTER	PAIRS	8X8X110	45/55	Pcs.	as per order
-------	-------------	-------	---------	-------	------	--------------



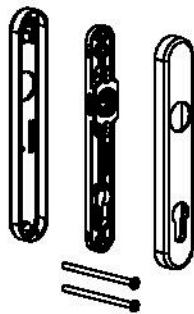
ITEM CODE	DESCRIPTION	TYPE	TYPE	NOTE	UNIT	QTY
04133	COVER SECURITY COVER	DOOR	MECHANISM + COVER		Pcs.	as per order
04210	COVER SECURITY COVER W/O CYLINDER	DOOR	MECHANISM + COVER		Pcs.	as per order



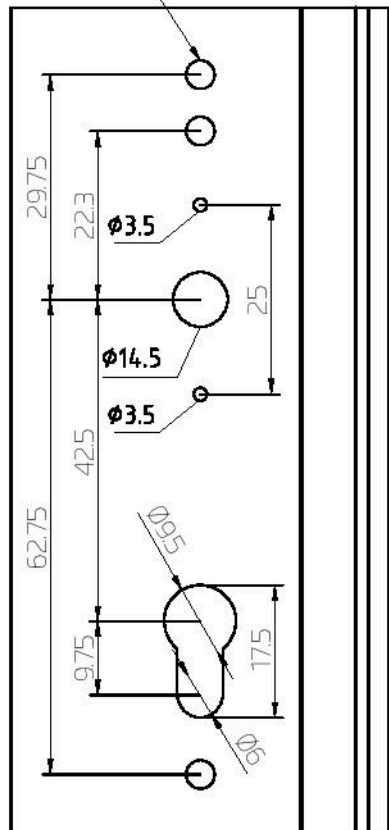
Version for cylinder



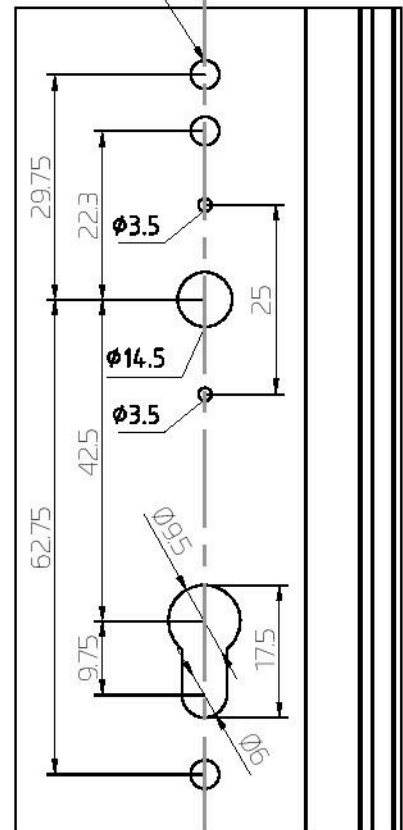
Version for internal cylinder



Ø7.5xN°3

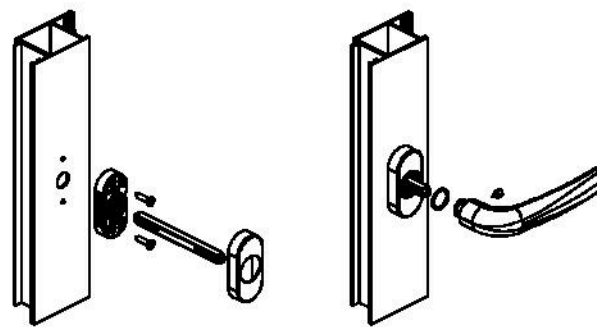


Ø7.5xN°3

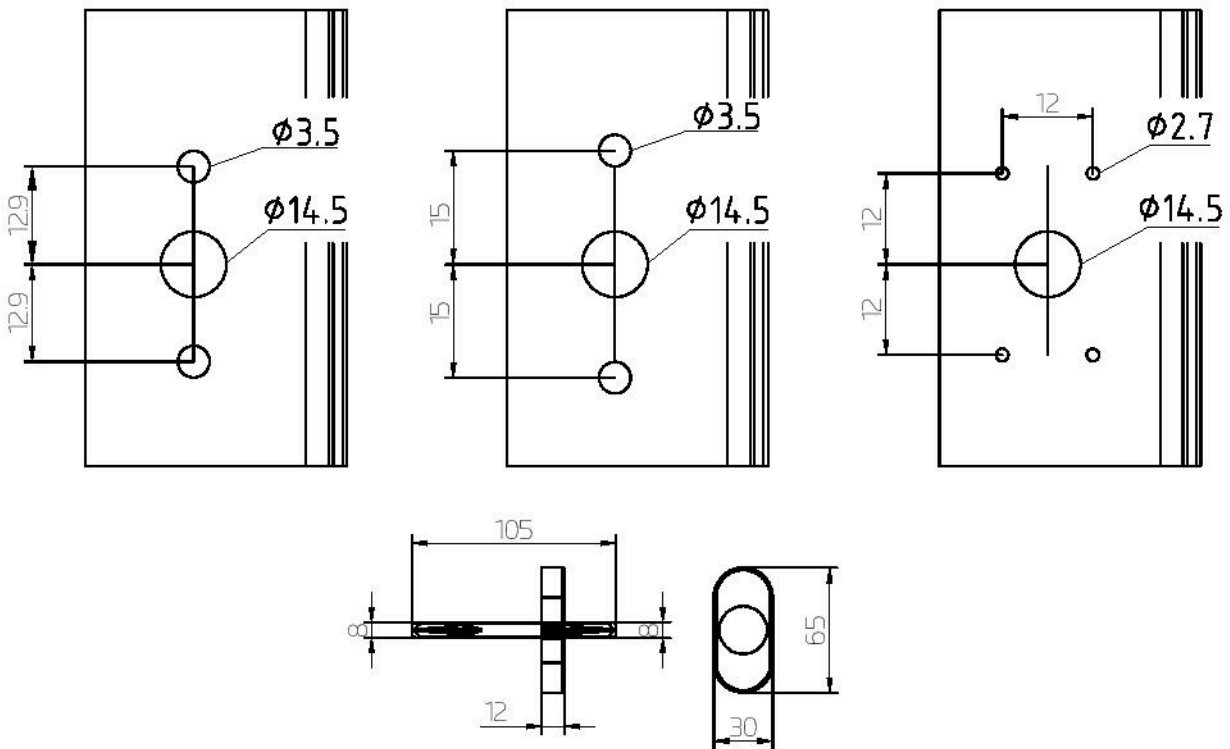


ITEM CODE	DESCRIPTION	TYPE	TYPE	NOTE	QTY
04130	HANDLE MECHANISM	DOOR	MECHANISM	PER SINGLE HANDLE	as per order
04131	COVER HANDLE SQUARE SPINDLE	DOOR	MECHANISM	ONLY SQUARE SPINDLE L=105	as per order
04141	COVER HANDLE SQUARE SPINDLE	DOOR	MECHANISM	ONLY SQUARE SPINDLE L=120	as per order

Application

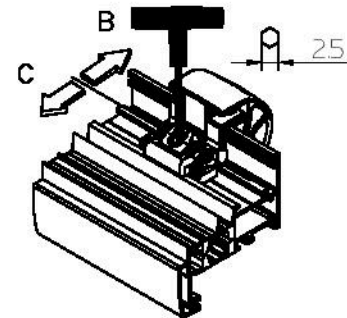
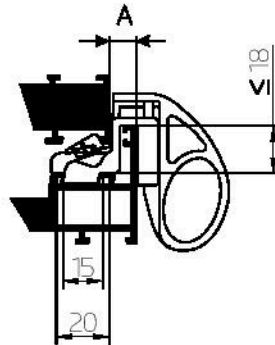
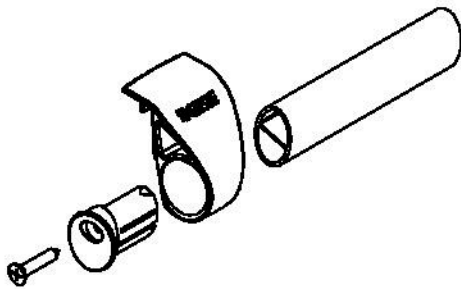
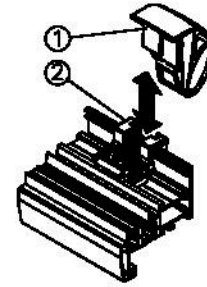
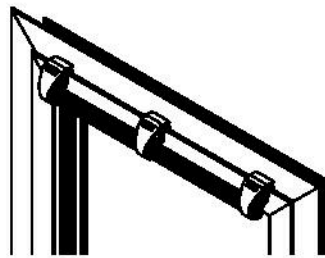
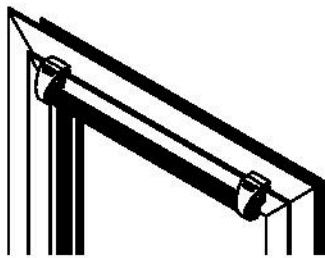


Mechanism

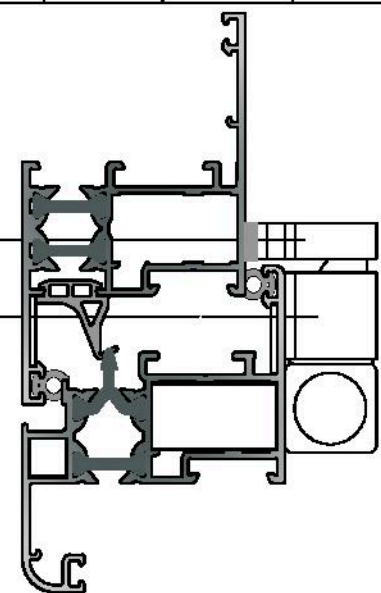
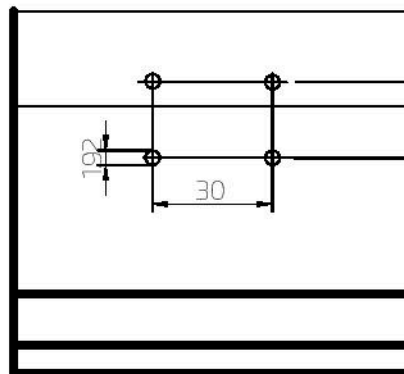
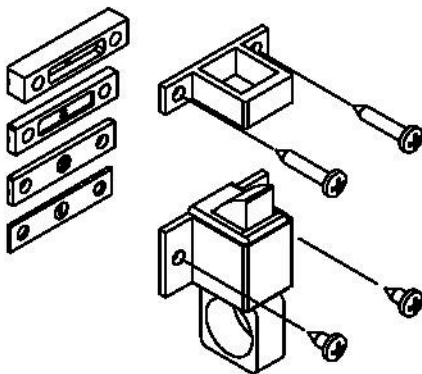


PROFILE CROSS - SECTION

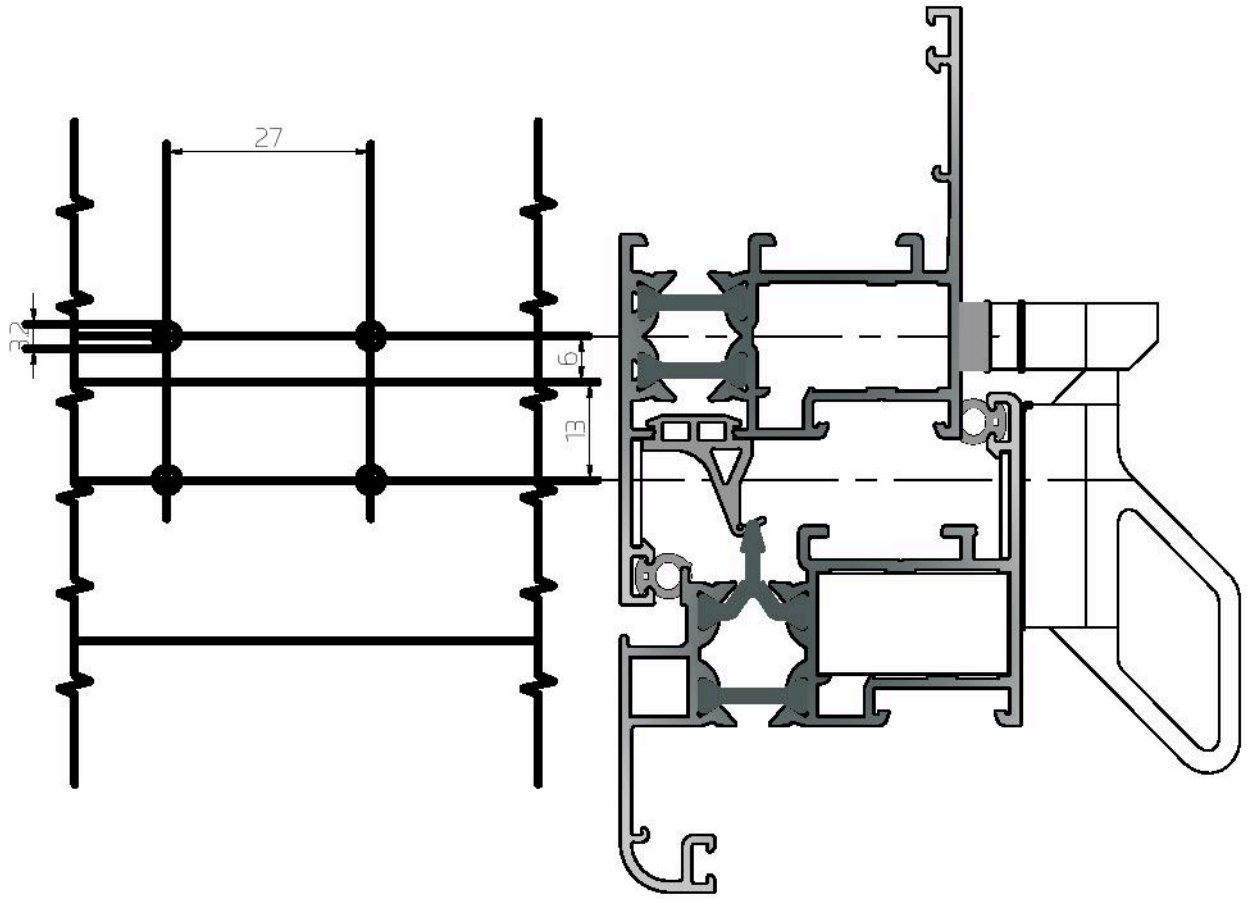
ITEM CODE	DESCRIPTION	PROFILE CROSS - SECTION	A (mm)	B (mm)	C (mm)	QTY
01704	TWIN CATCH	C001-C002-C003-C004 -C005-C006-C012	7/10mm	+2.1mm	+1.4mm	as per order



01701N	GRISBI CATCH	C001-C002-C003-C004-C005-C006-C007-C008-C009-C012	X	X	X	as per order
--------	--------------	---	---	---	---	--------------

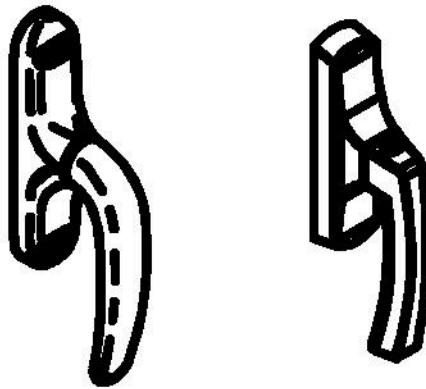


ITEM CODE	DESCRIPTION	PROFILE CROSS - SECTION	A (mm)	B (mm)	C (mm)	QTY
01711	RIVO CATCH					as per order





ITEM CODE	DESCRIPTION	PROFILE CROSS SECTION	C/C DISTANCE	UNIT	QTY
01063	ASTA OUTWARD 0-180° CREMONE	C001-C002-C003-C004-C005-C006-C007-C008-C009-C010-C012-C013-C014-C015-C016-C017-P001-P002-P004-P005-P006-P007-P008-P009-P010	104mm	Pcs.	as per order
01150001	UNICA SYSTEM CREMONE	C001-C002-C003-C004-C005-C006-C007-C008-C009-C010-C012-C013-C014-C015-C016-C017-P001-P002-P004-P005-P006-P007-P008-P009-P010	104mm	Pcs.	as per order



ITEM CODE	DESCRIPTION	PROFILE CROSS SECTION	TYPE	CAN BE COMBINED WITH	OPERATION	PULL HANDLE 0°	PULL HANDLE 90°
04070	KIT FOR INWARD OPENING UNICA SYSTEM	C001-C012-C0013-C015-C016	SASH	01063-01150N-01151N-01126	TWO-WAY	CLOSED	OPEN

