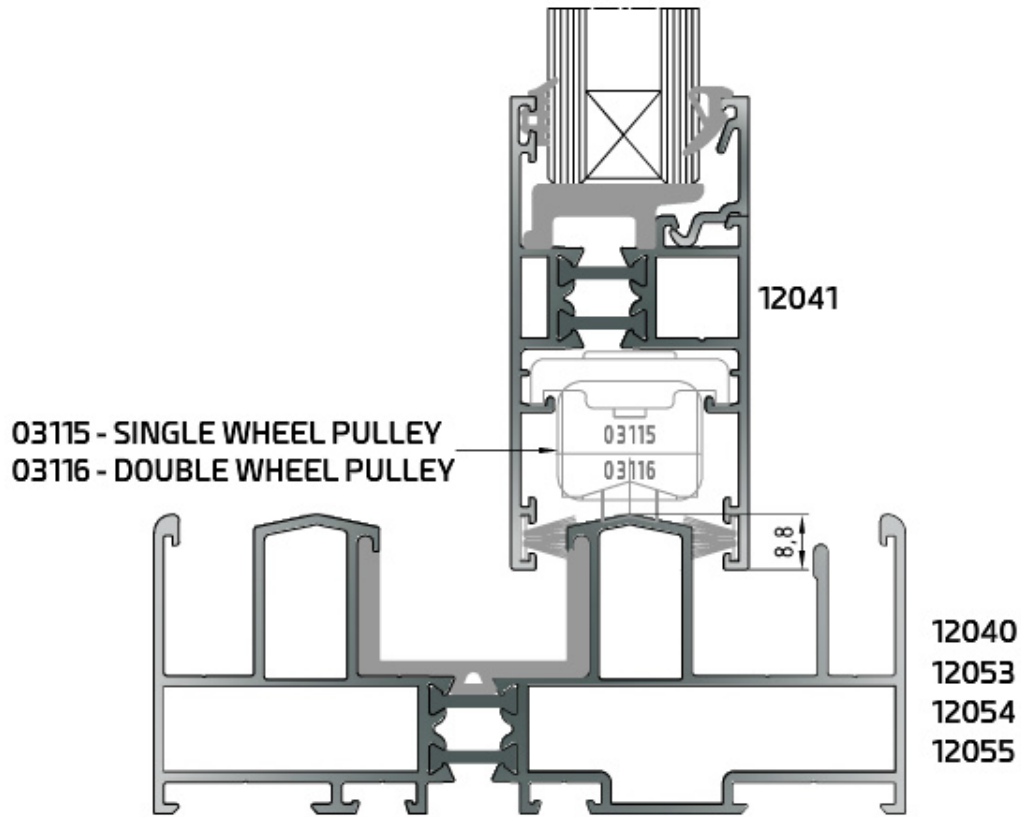
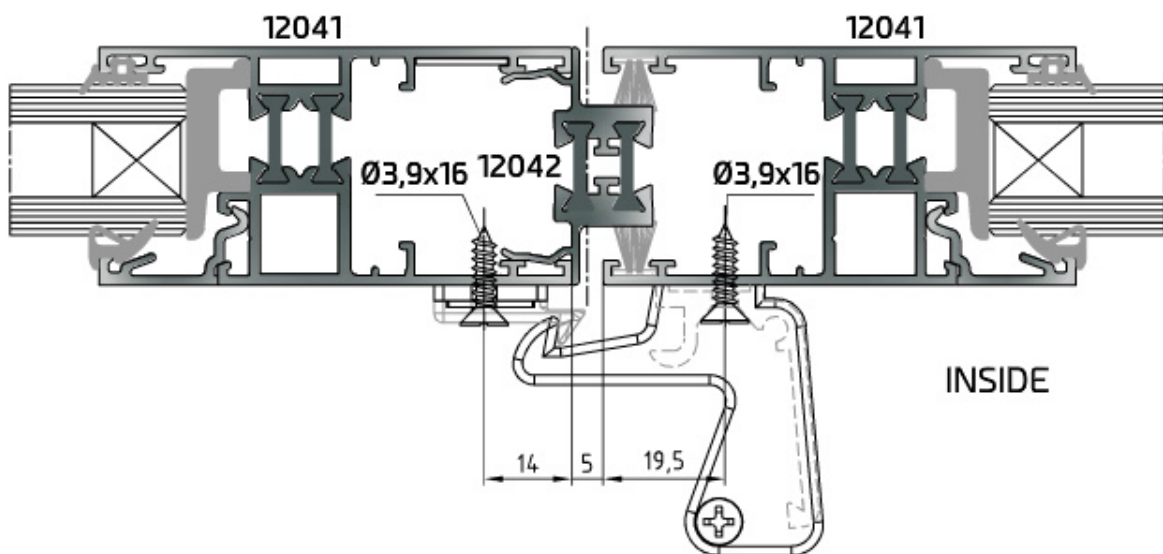


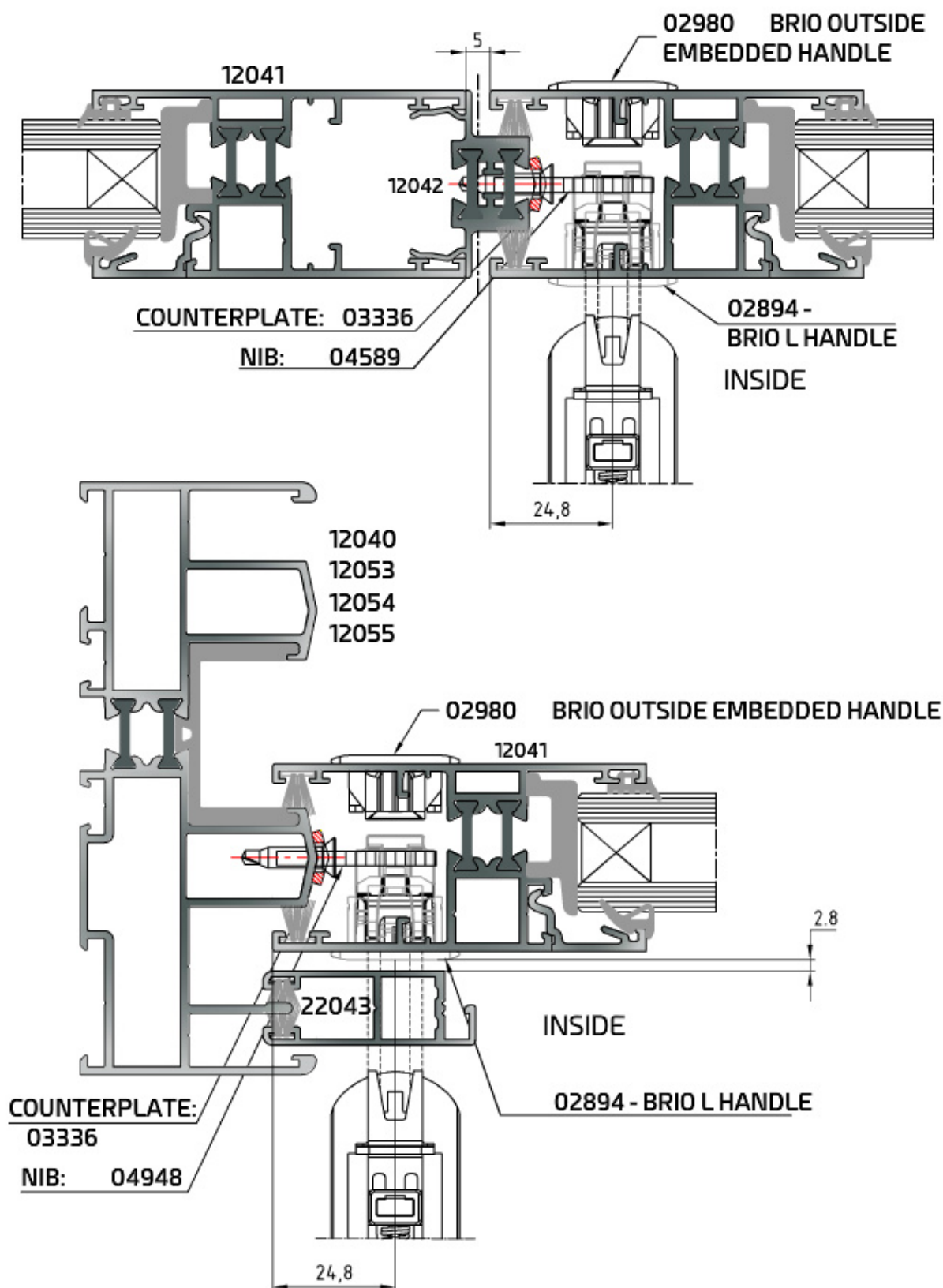
**Roller fixing**



**Butterfly handle 03172**



## Standard locking (flush type handles)

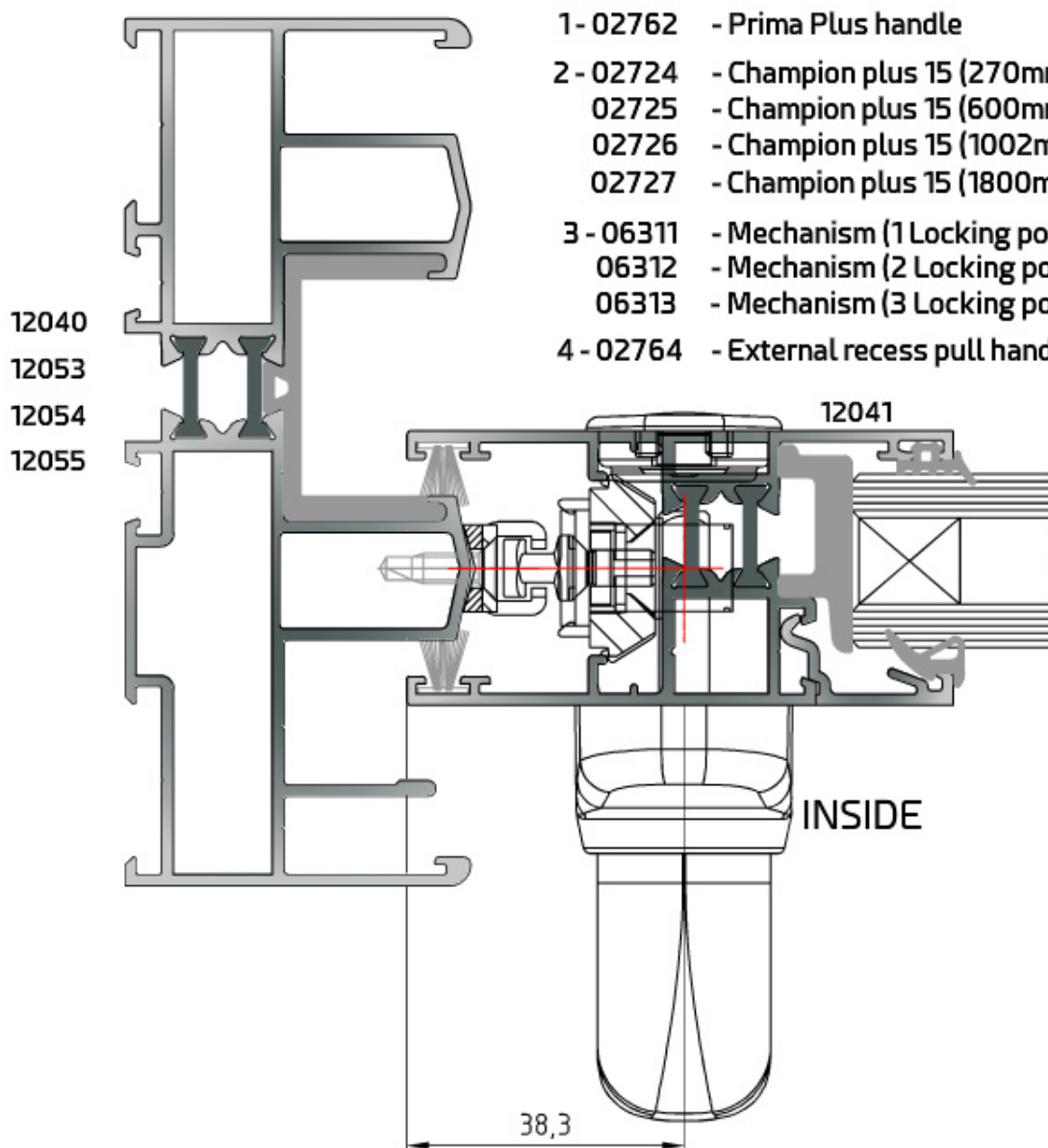


**Multipoint locking with window handle  
(Fly screen is not applicable)**

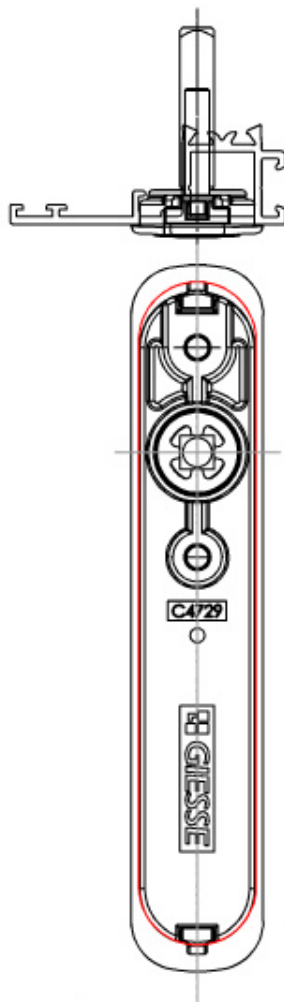
**MULTIPOINT LOCKING (CHAMPION LOCKING SYSTEM)**

**ITEM:**

- 1 - 02762 - Prima Plus handle
- 2 - 02724 - Champion plus 15 (270mm)
- 02725 - Champion plus 15 (600mm)
- 02726 - Champion plus 15 (1002mm)
- 02727 - Champion plus 15 (1800mm)
- 3 - 06311 - Mechanism (1 Locking point)
- 06312 - Mechanism (2 Locking point)
- 06313 - Mechanism (3 Locking point)
- 4 - 02764 - External recess pull handle

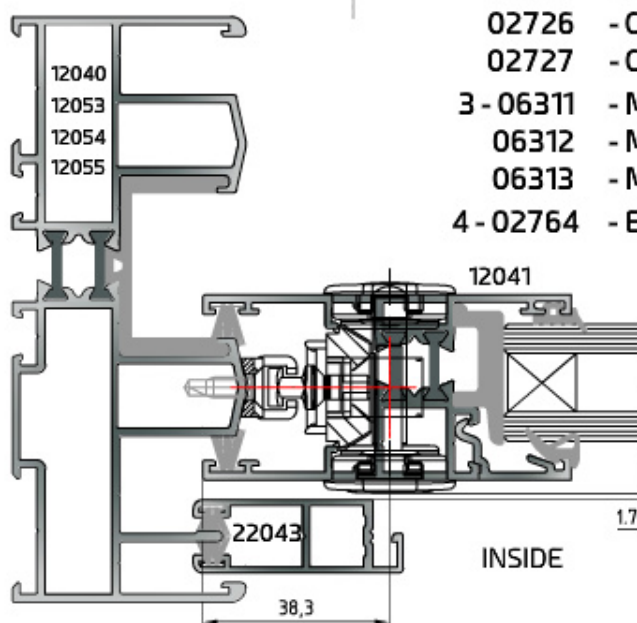


## Multipoint locking (Recessed handle)



### ITEM:

- 1 - 02760 - Recessed window handle
- 2 - 02724 - Champion plus 15 (270mm)
- 02725 - Champion plus 15 (600mm)
- 02726 - Champion plus 15 (1002mm)
- 02727 - Champion plus 15 (1800mm)
- 3 - 06311 - Mechanism (1 Locking point)
- 06312 - Mechanism (2 Locking point)
- 06313 - Mechanism (3 Locking point)
- 4 - 02764 - External recess pull handle

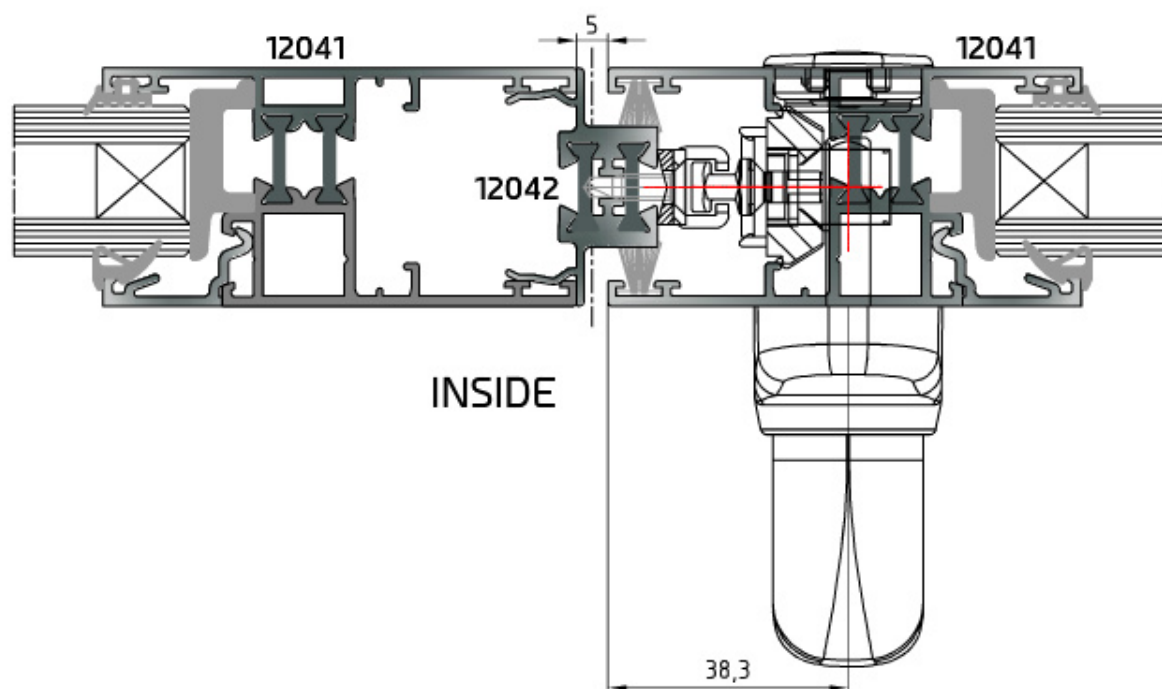


**Multipoint locking with window handle  
(Fly screen is not applicable)**

**MULTIPOINT LOCKING (CHAMPION LOCKING SYSTEM)**

**ITEM:**

- 1- 02762 - Prima Plus handle
- 2 - 02724 - Champion plus 15 (270mm)
- 02725 - Champion plus 15 (600mm)
- 02726 - Champion plus 15 (1002mm)
- 02727 - Champion plus 15 (1800mm)
- 3 - 06311 - Mechanism (1 Locking point)
- 06312 - Mechanism (2 Locking point)
- 06313 - Mechanism (3 Locking point)
- 4 - 02764 - External recess pull handle

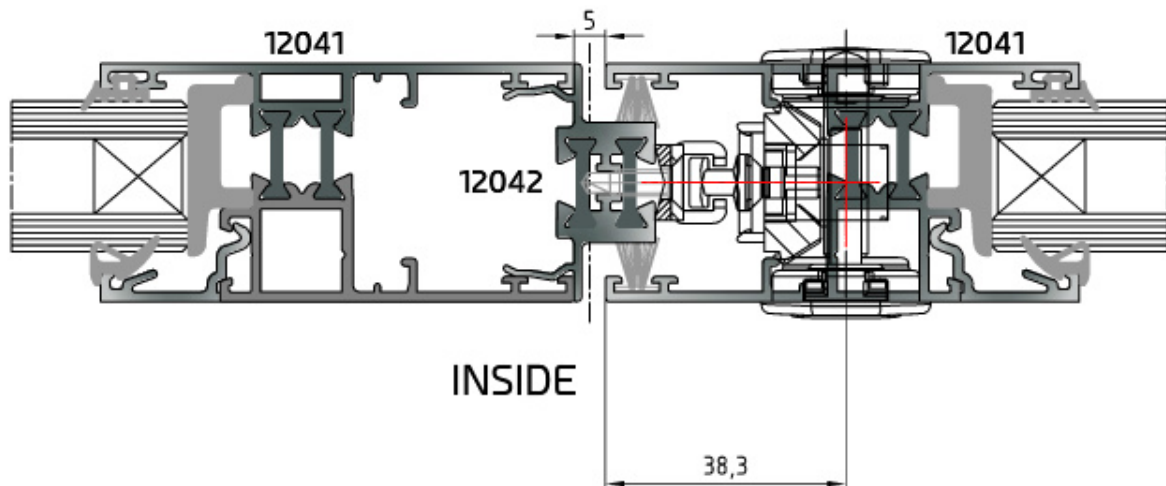


## Multipoint locking with window handle (Fly screen is not applicable)

### MULTIPOINT LOCKING (CHAMPION LOCKING SYSTEM)

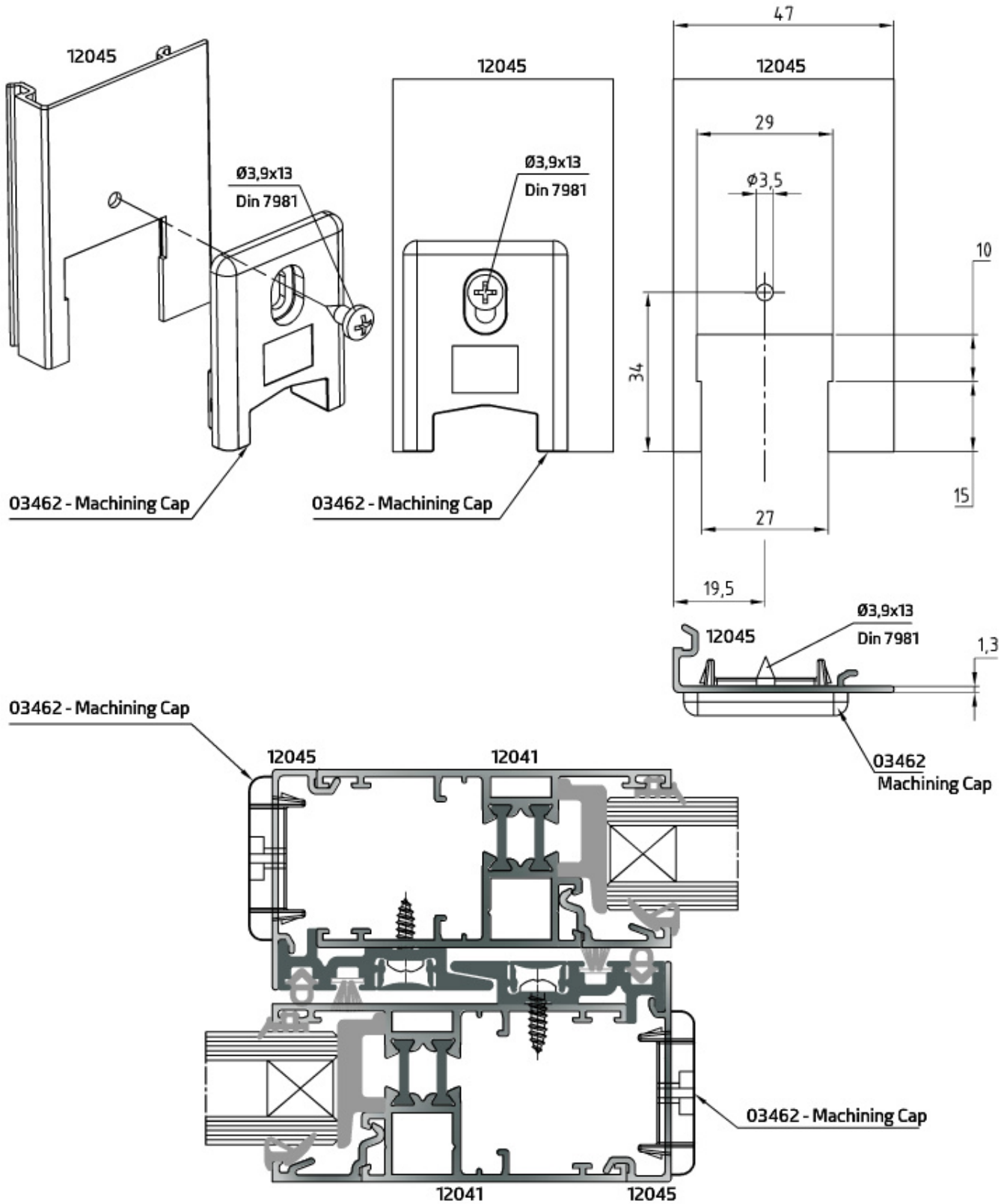
#### ITEM:

- 1 - 02760 - Recessed window handle OR 02762 - window handle
- 2 - 02724 - Champion plus 15 (270mm)
- 02725 - Champion plus 15 (600mm)
- 02726 - Champion plus 15 (1002mm)
- 02727 - Champion plus 15 (1800mm)
- 3 - 06311 - Mechanism (1 Locking point)
- 06312 - Mechanism (2 Locking point)
- 06313 - Mechanism (3 Locking point)
- 4 - 02764 - External recess pull handle



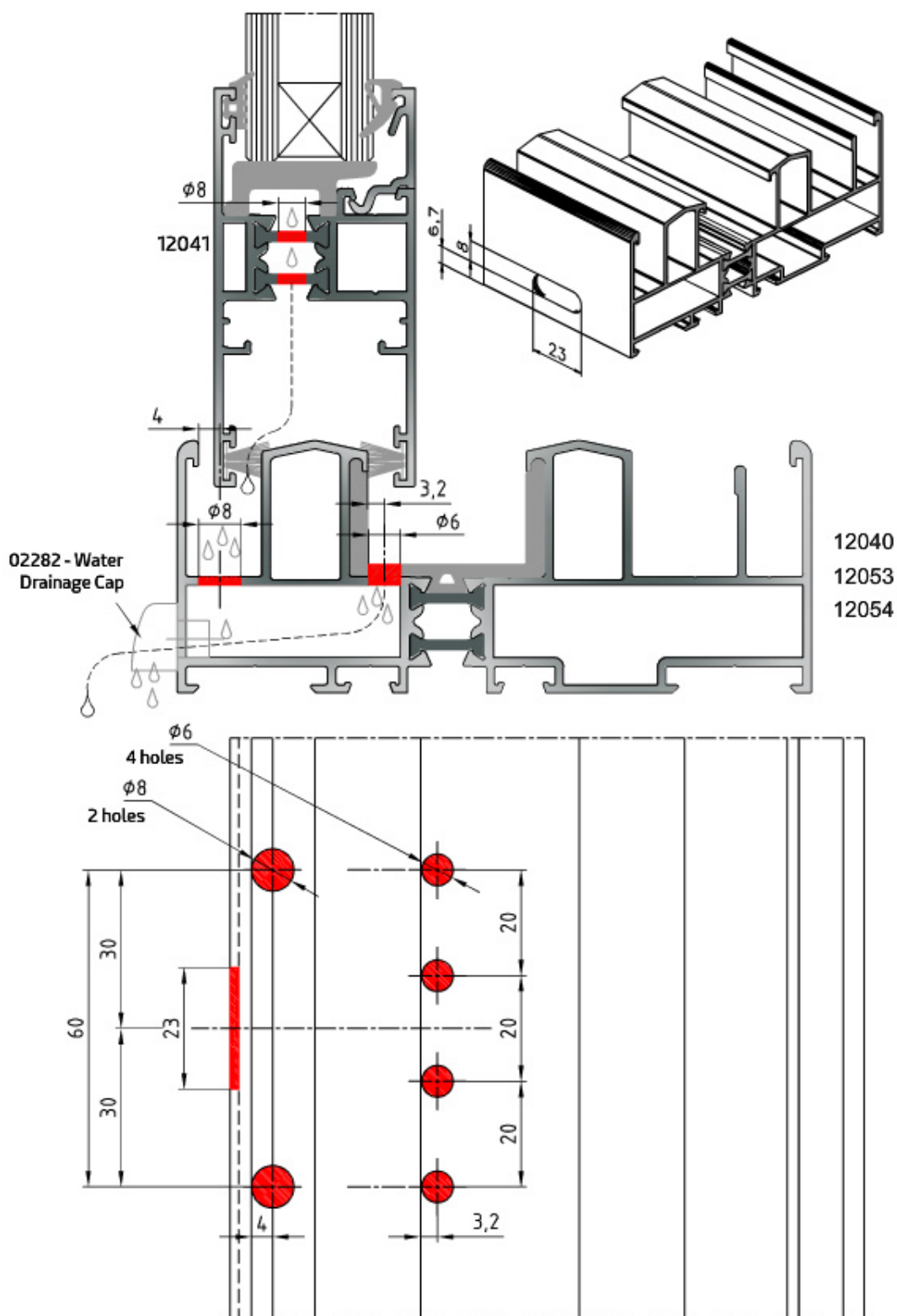
**Accessories: hole machining**

Profile 12045 processing for installation 03462 - Machining Cap



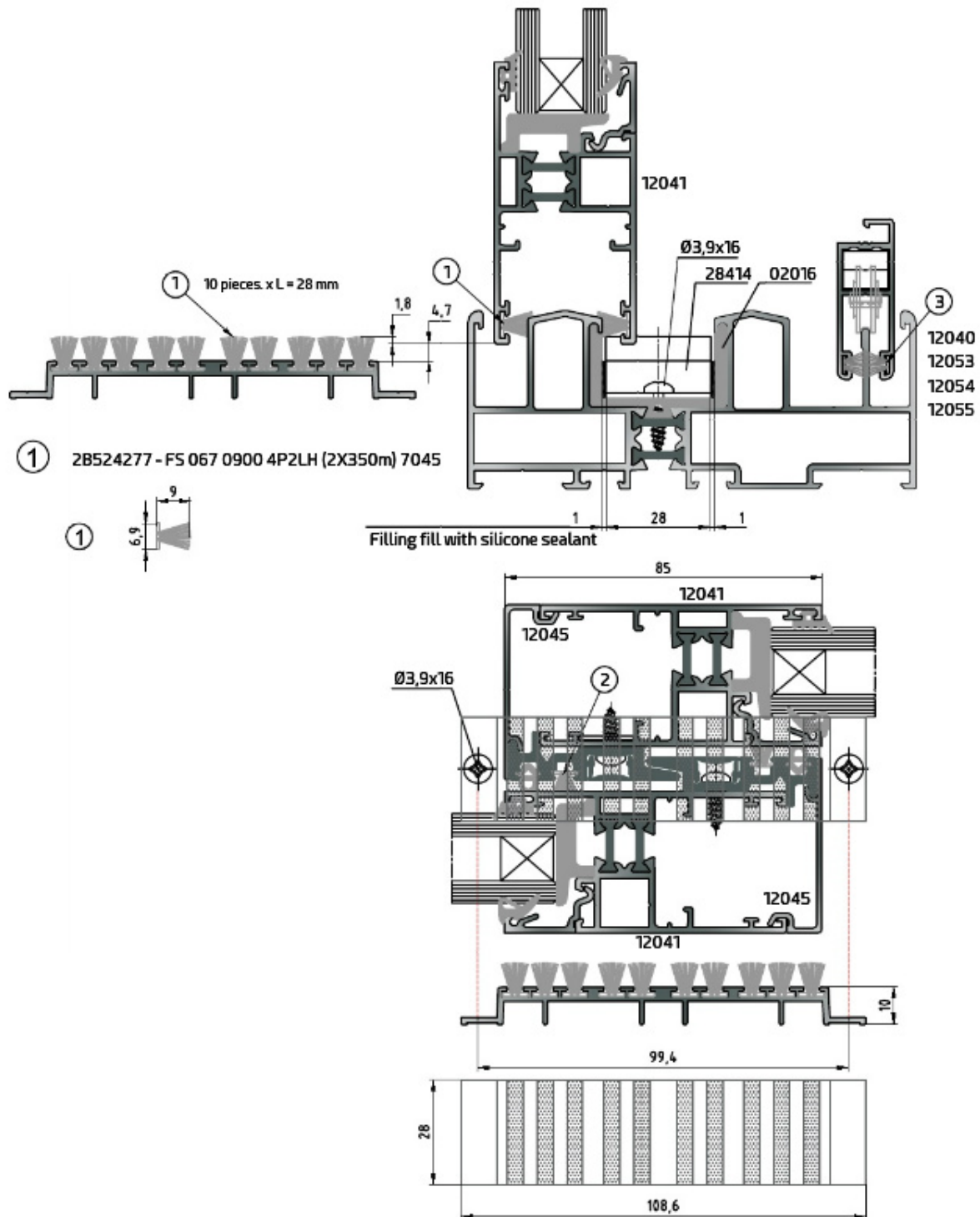
## Water drainage cap 02282

Make 2 holes at a distance of 150 mm from the ends of the profile.





**Dust plug 28414**

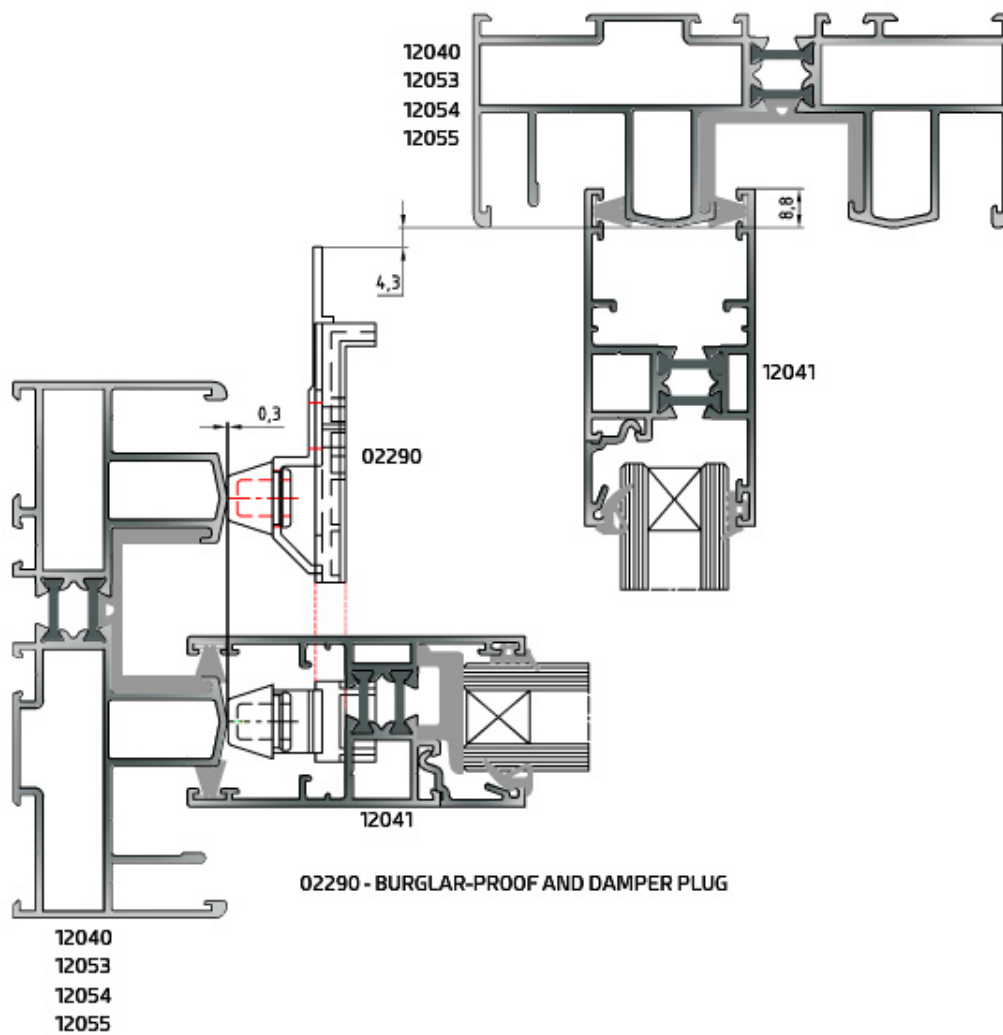




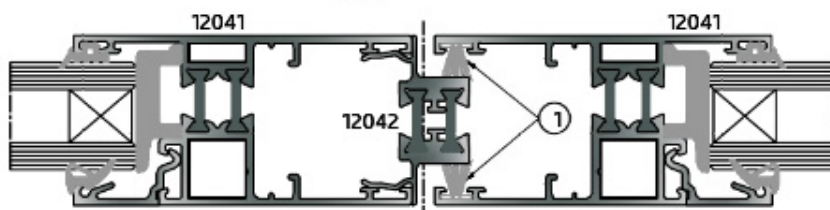
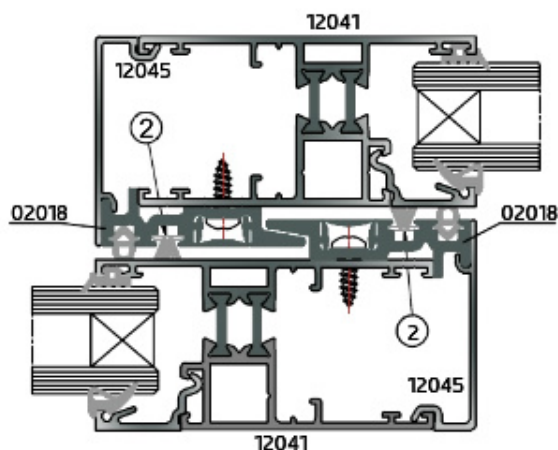
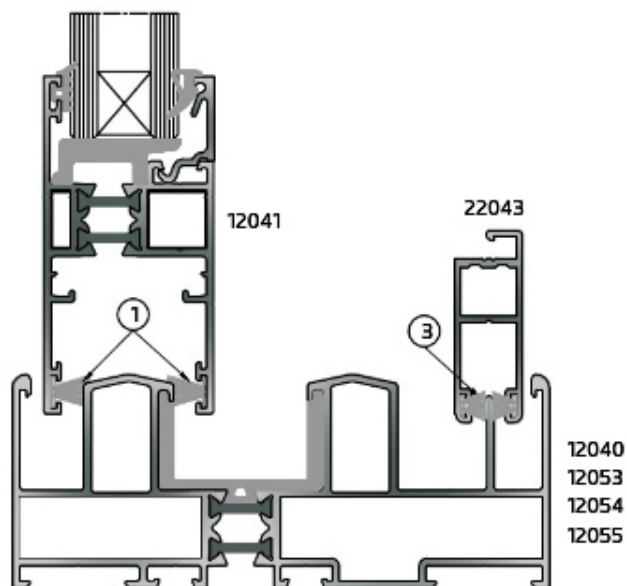
# BREDI-S

# BREDI®

## Burglar proof & damper plug



**Schlegel weather seal brush**



① 2B524277 - FS 067 0900 4P2LH (2X350m) 7045

② 2B472277 - FS 067 0650 4P2LH (2x550m) 7008  
2A473277 - PB 067 0650 4P2LH (4X275m) 7045

③ 2B091277 - FS 048 0550 4P2LH 0750 (7X100m) 7045  
2B091288 - FS 048 0550 4P2LH 0750 (7X100m) 9005  
2B093277 - FS 048 0550 4P2LH (2X700m) 7045  
OR  
2A102287 - PB 048 0550 4P2LH (4X450m) 9003  
2A102288 - PB 048 0550 4P2LH (4X450m) 9005

