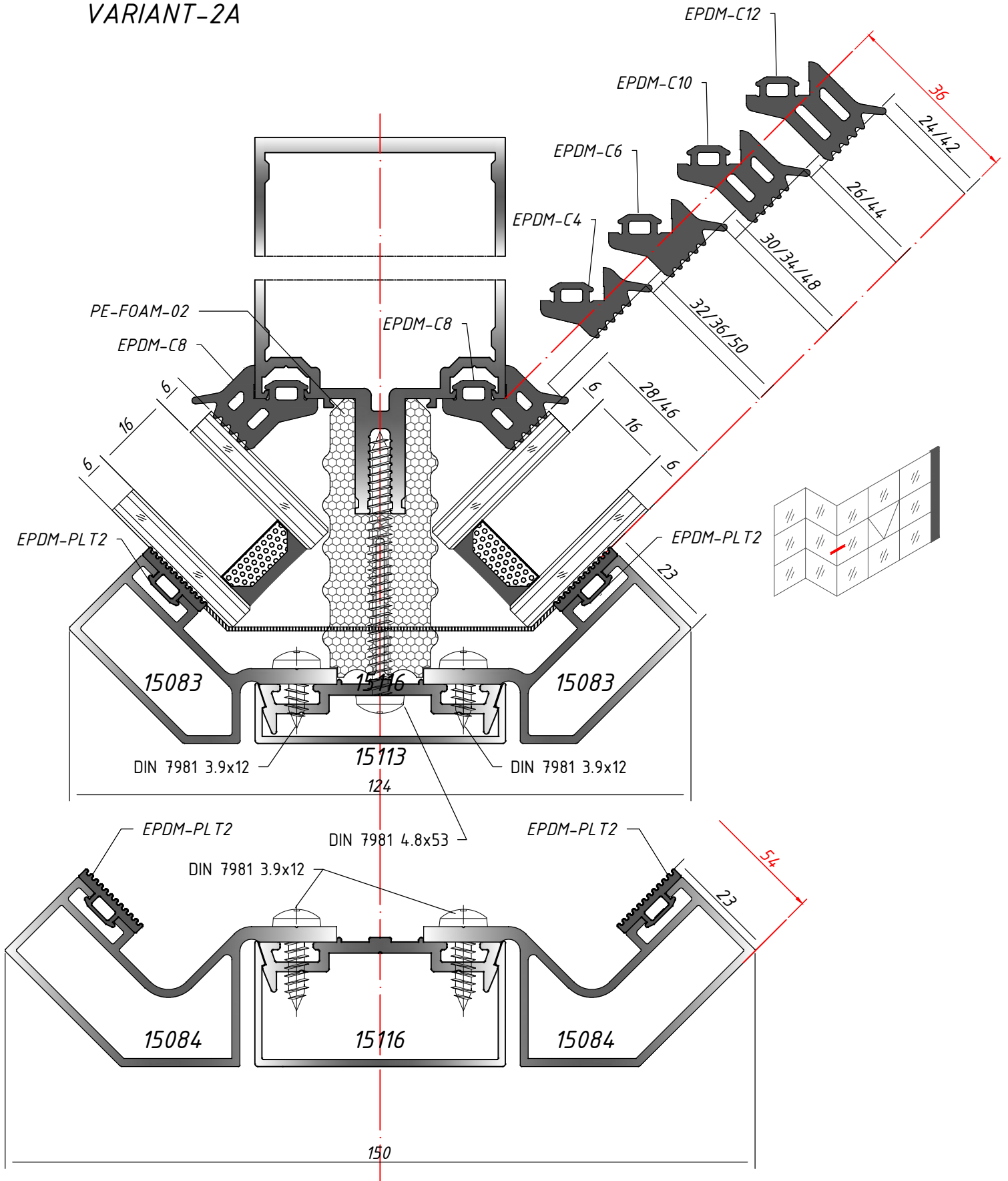
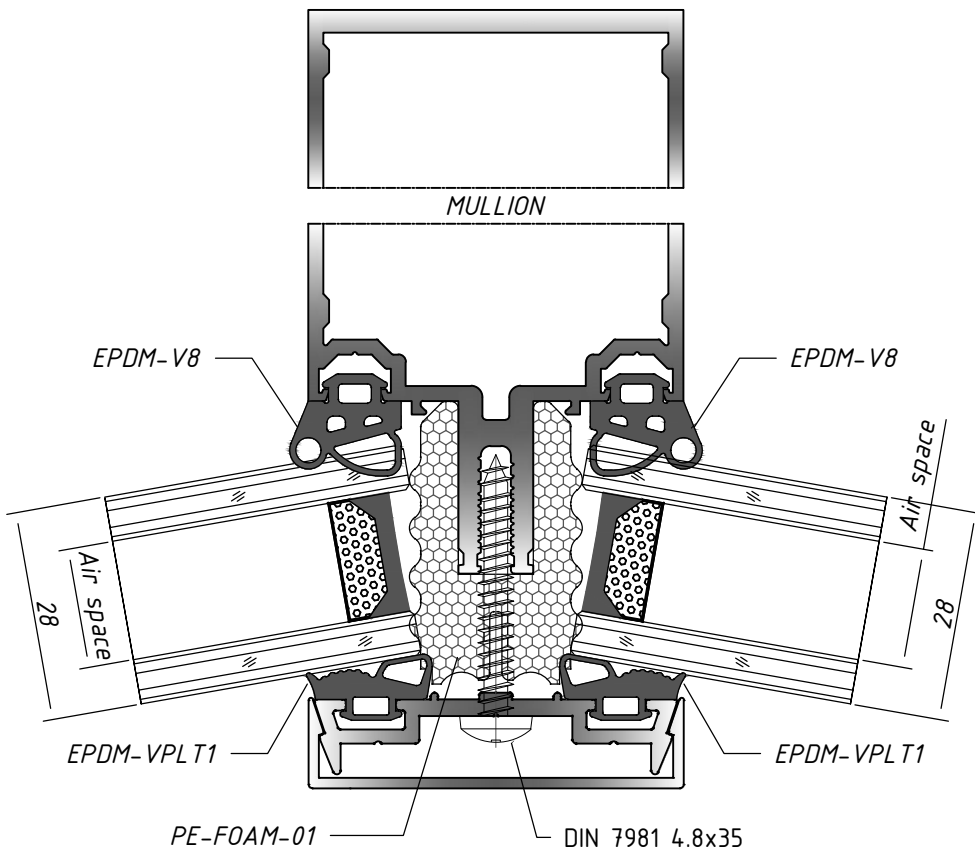
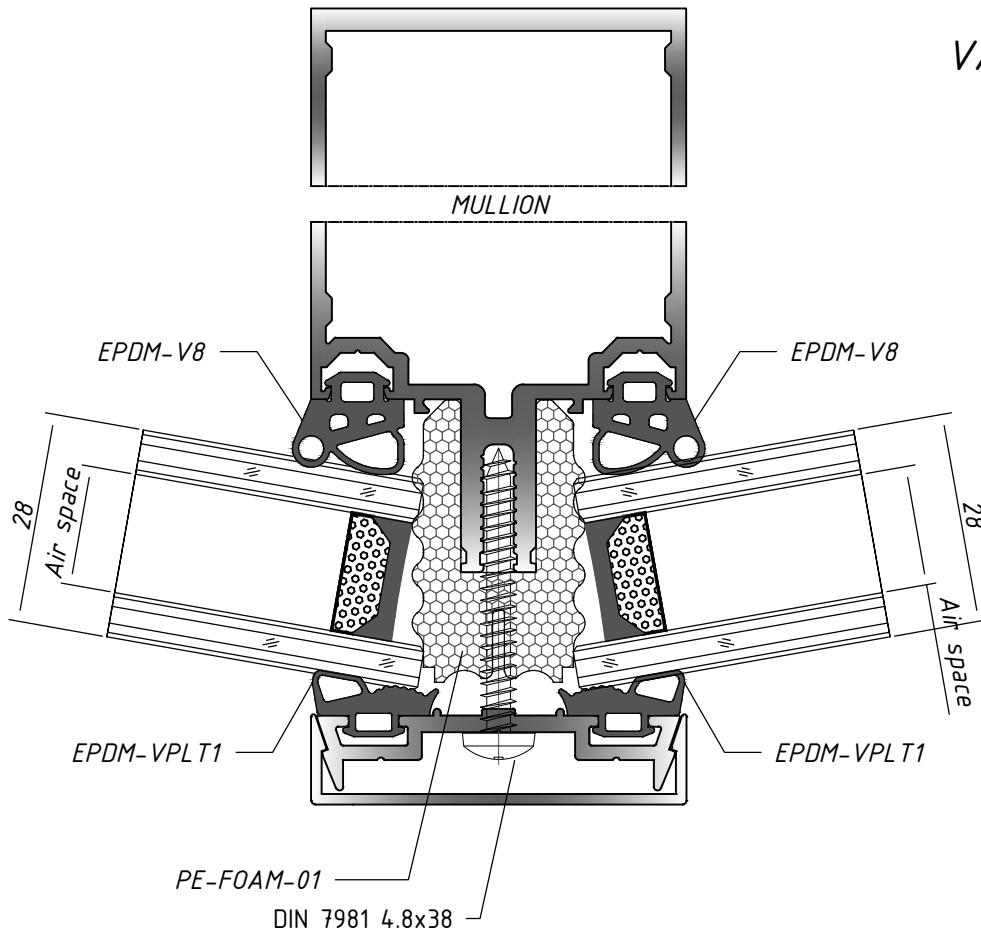


VARIANT-2A

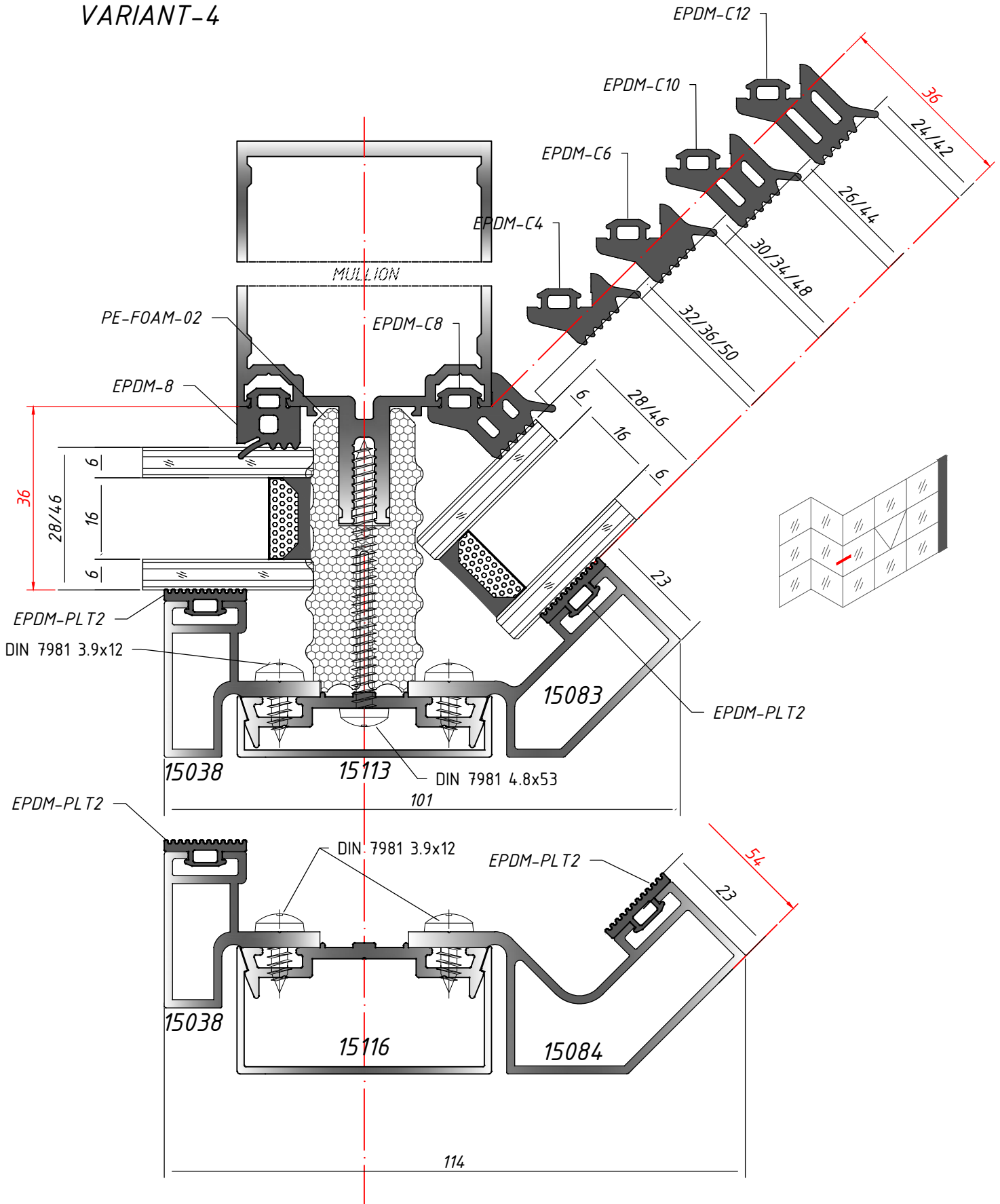


*Symmetrical corner*

VARIANT-3

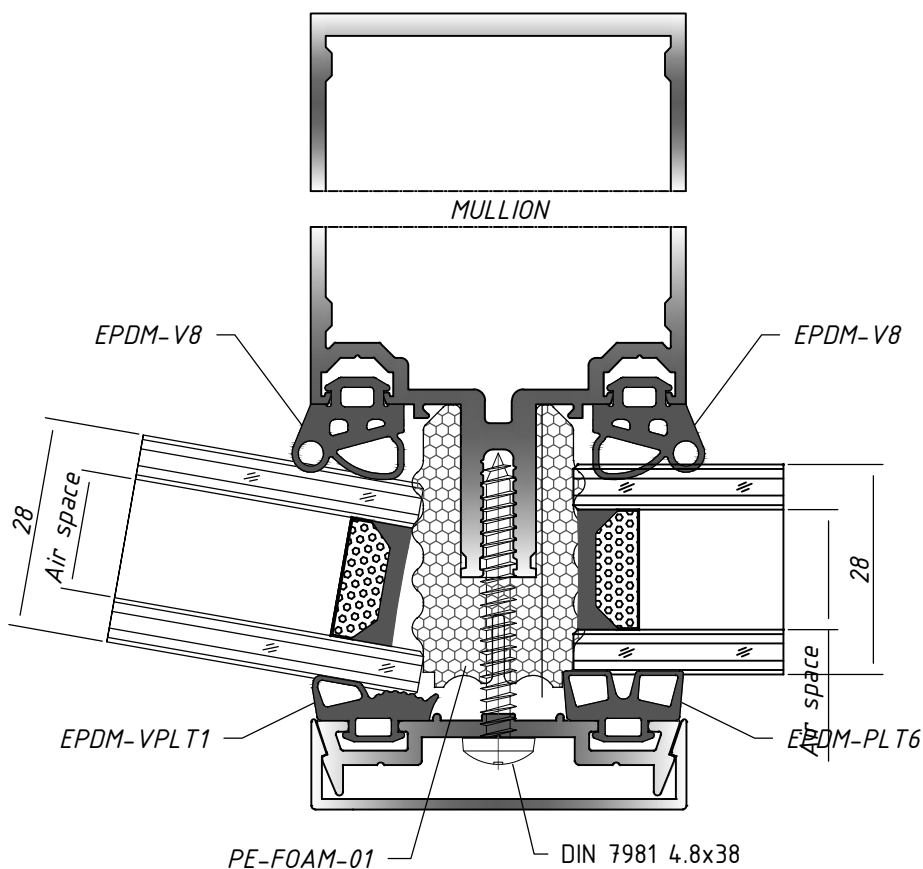


VARIANT-4

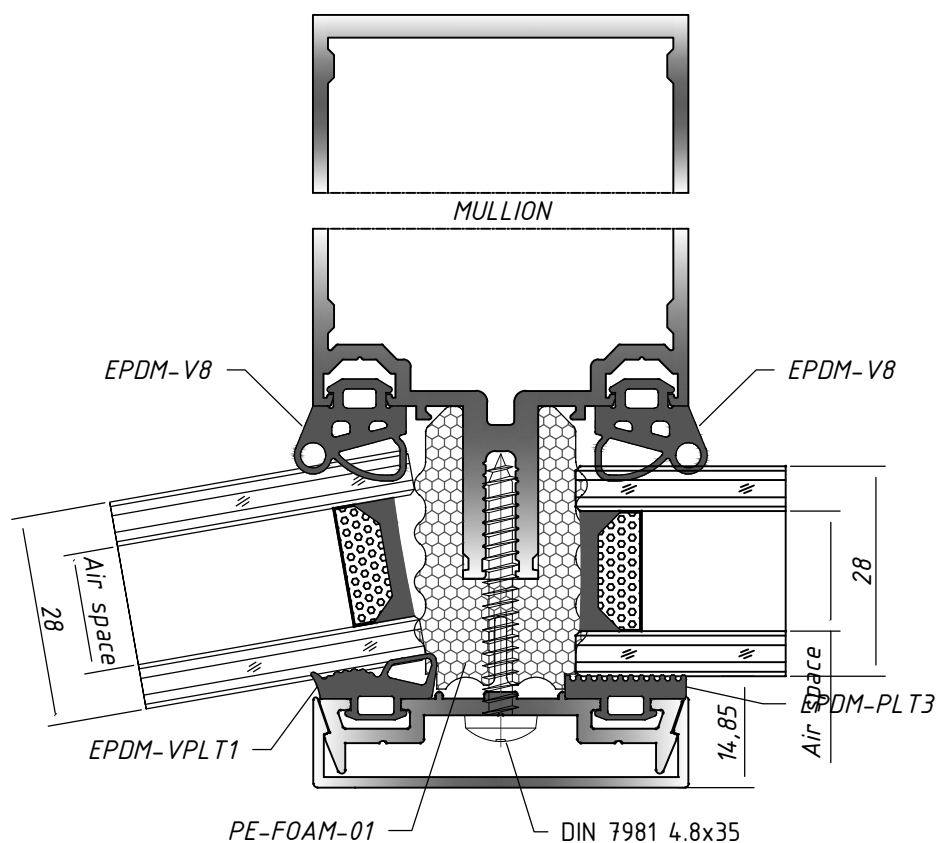


*Asymmetrical corner*

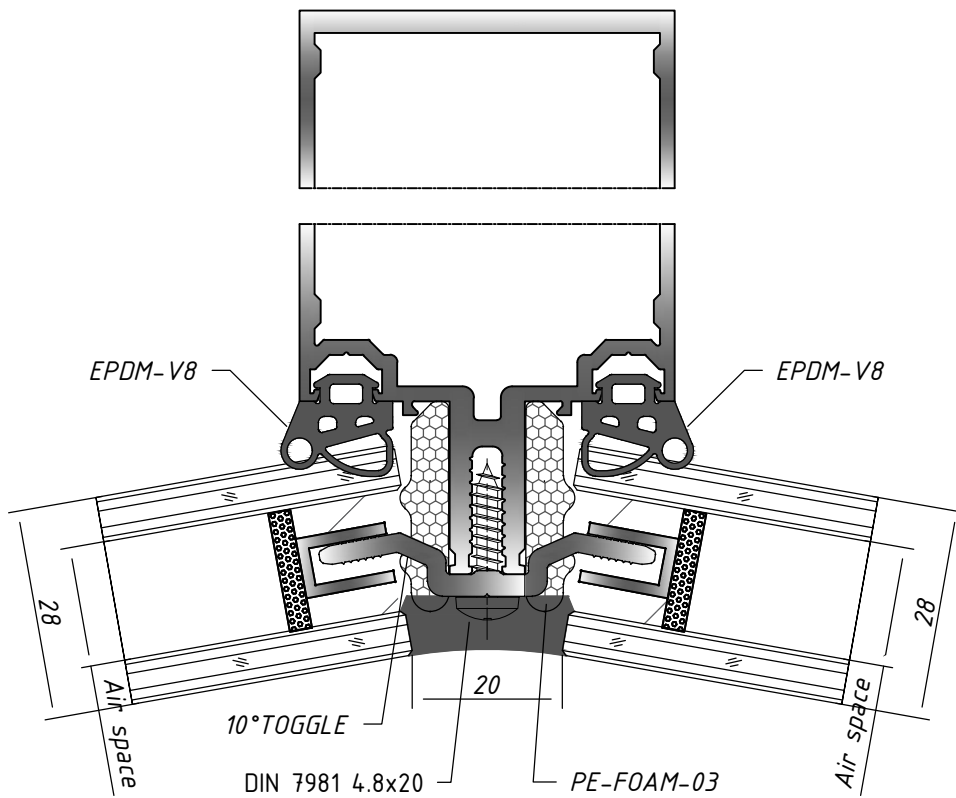
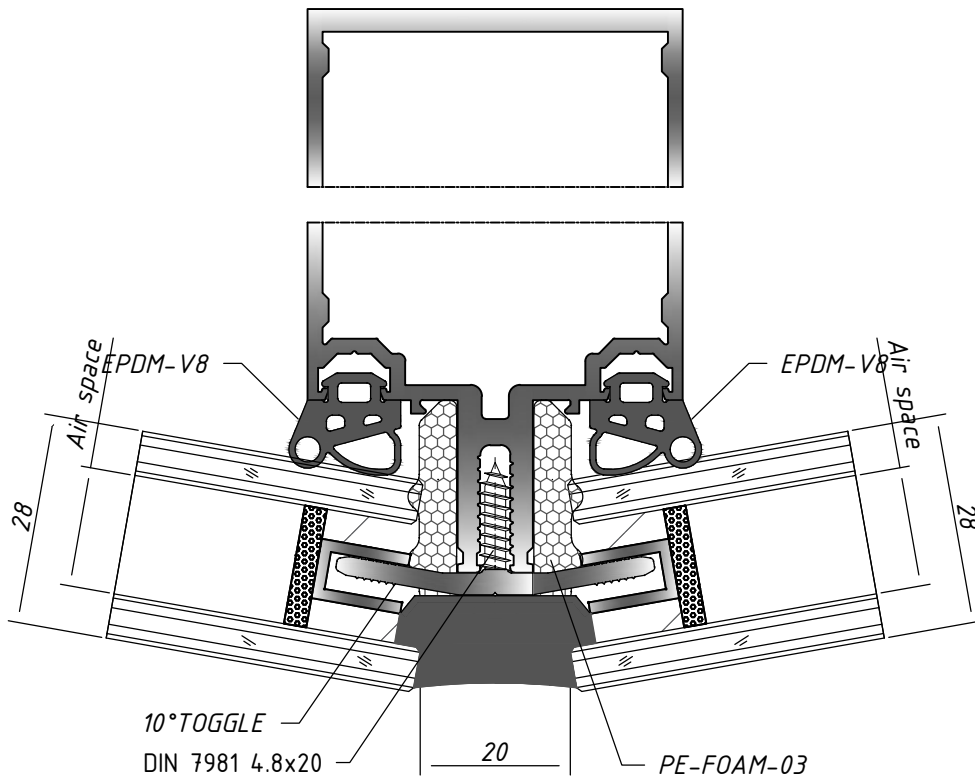
VARIANT-5



SECTION	GASKET	GLASS
	EPDM-V6	30/34
	EPDM-V8	28
	EPDM-V10	26
	EPDM-V12	24



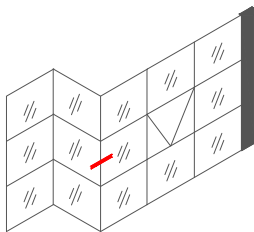
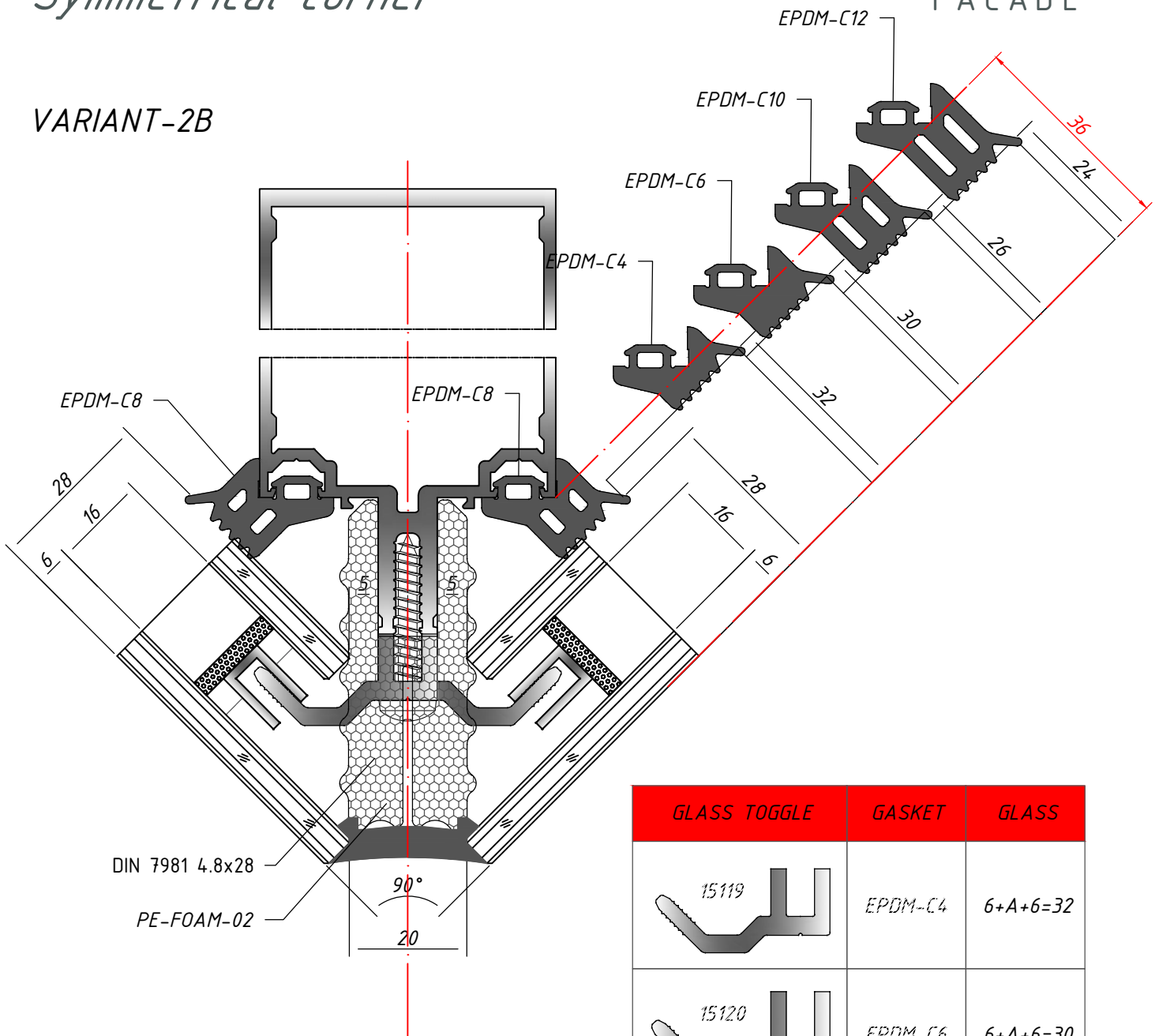
*VARIANT-6*

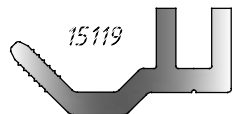
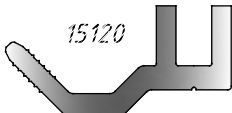
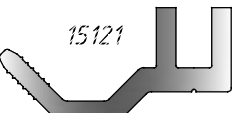
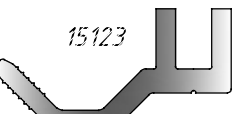



15080

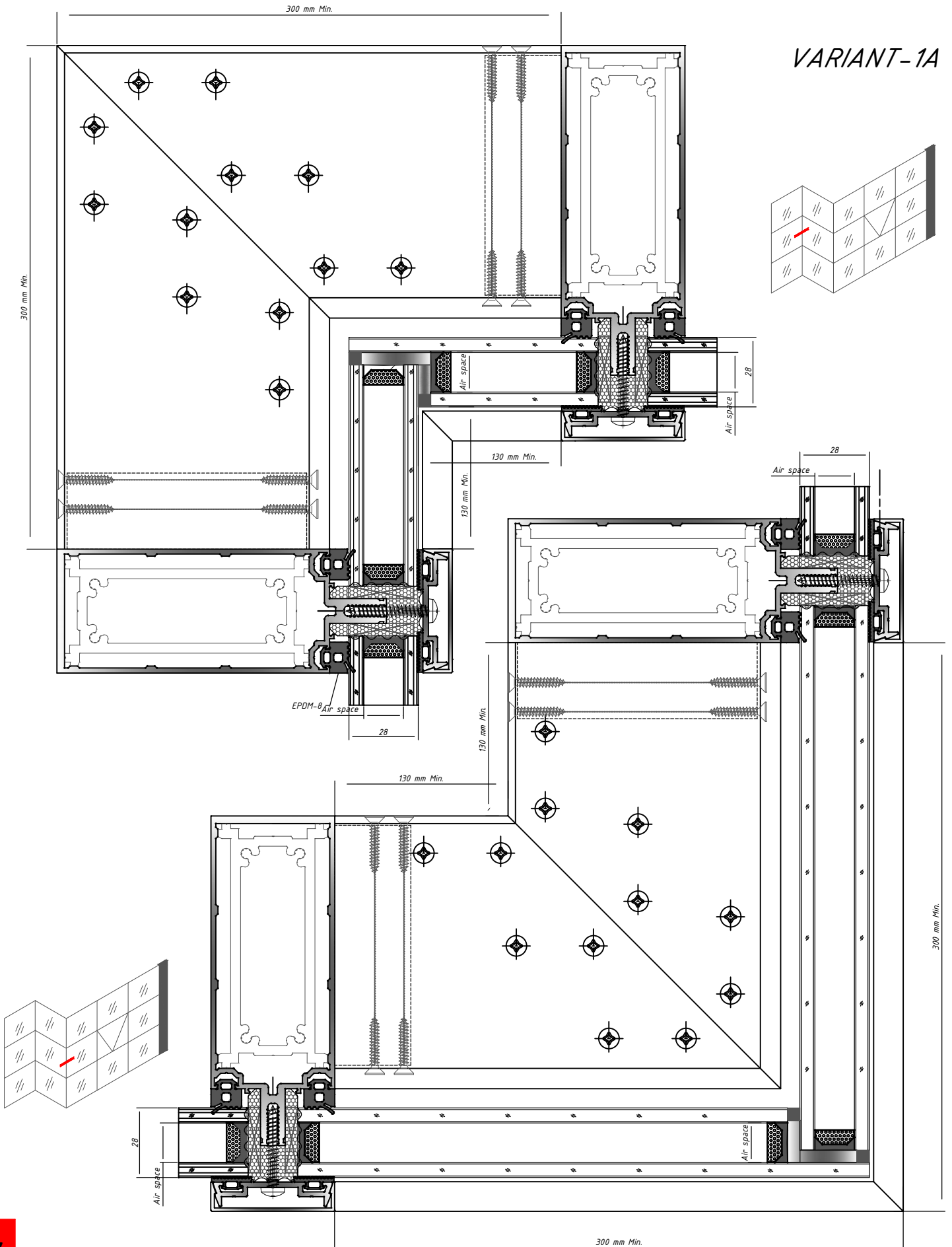
## Symmetrical corner

### VARIANT-2B



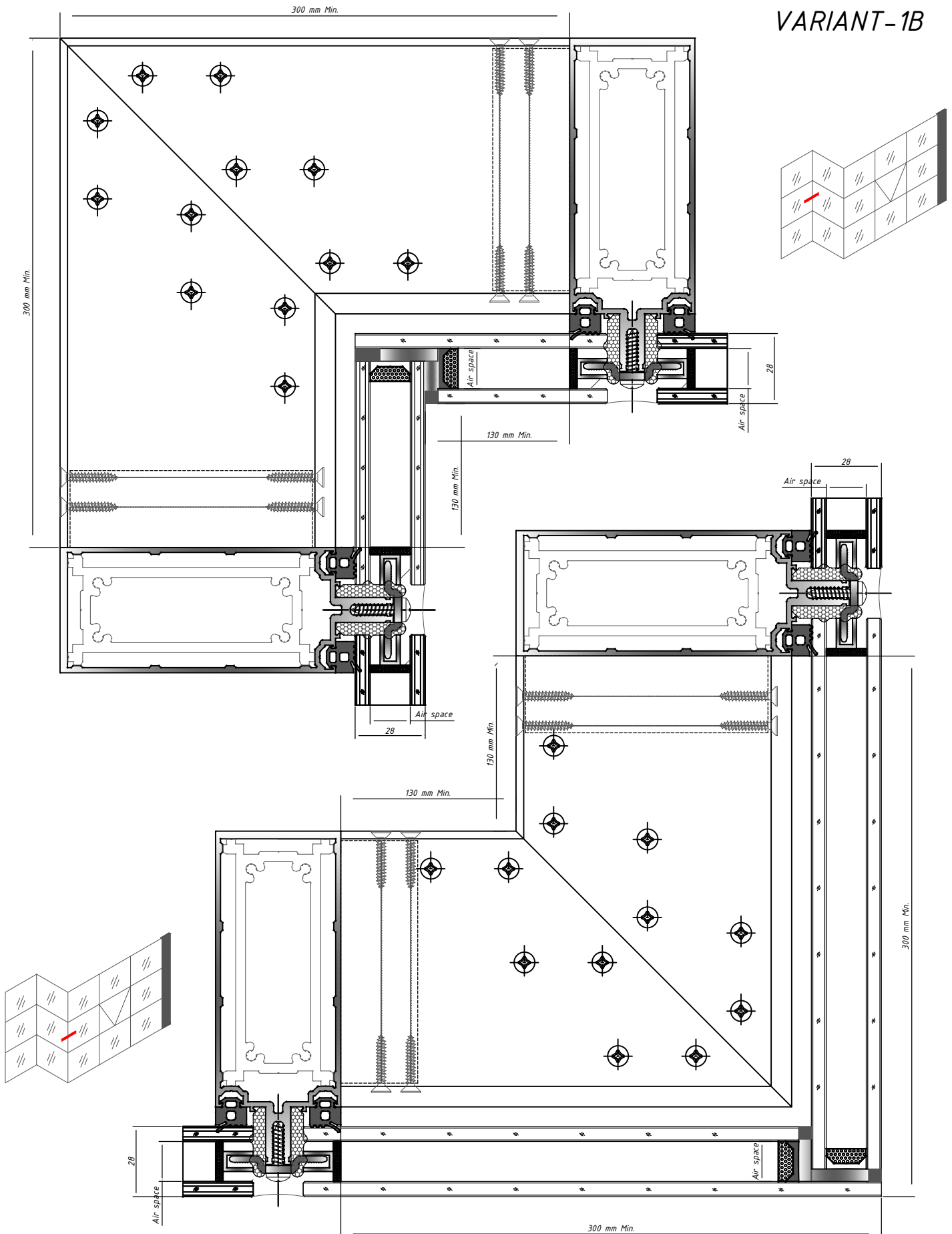
GLASS TOGGLE	GASKET	GLASS
 <p>15119</p>	EPDM-C4	6+A+6=32
 <p>15120</p>	EPDM-C6	6+A+6=30
 <p>15121</p>	EPDM-C8	6+A+6=28
 <p>15123</p>	EPDM-C10	6+A+6=26
 <p>15124</p>	EPDM-C12	6+A+6=24

*VARIANT-1A*



*Glass corner*

VARIANT-1B





VARIANT-7

