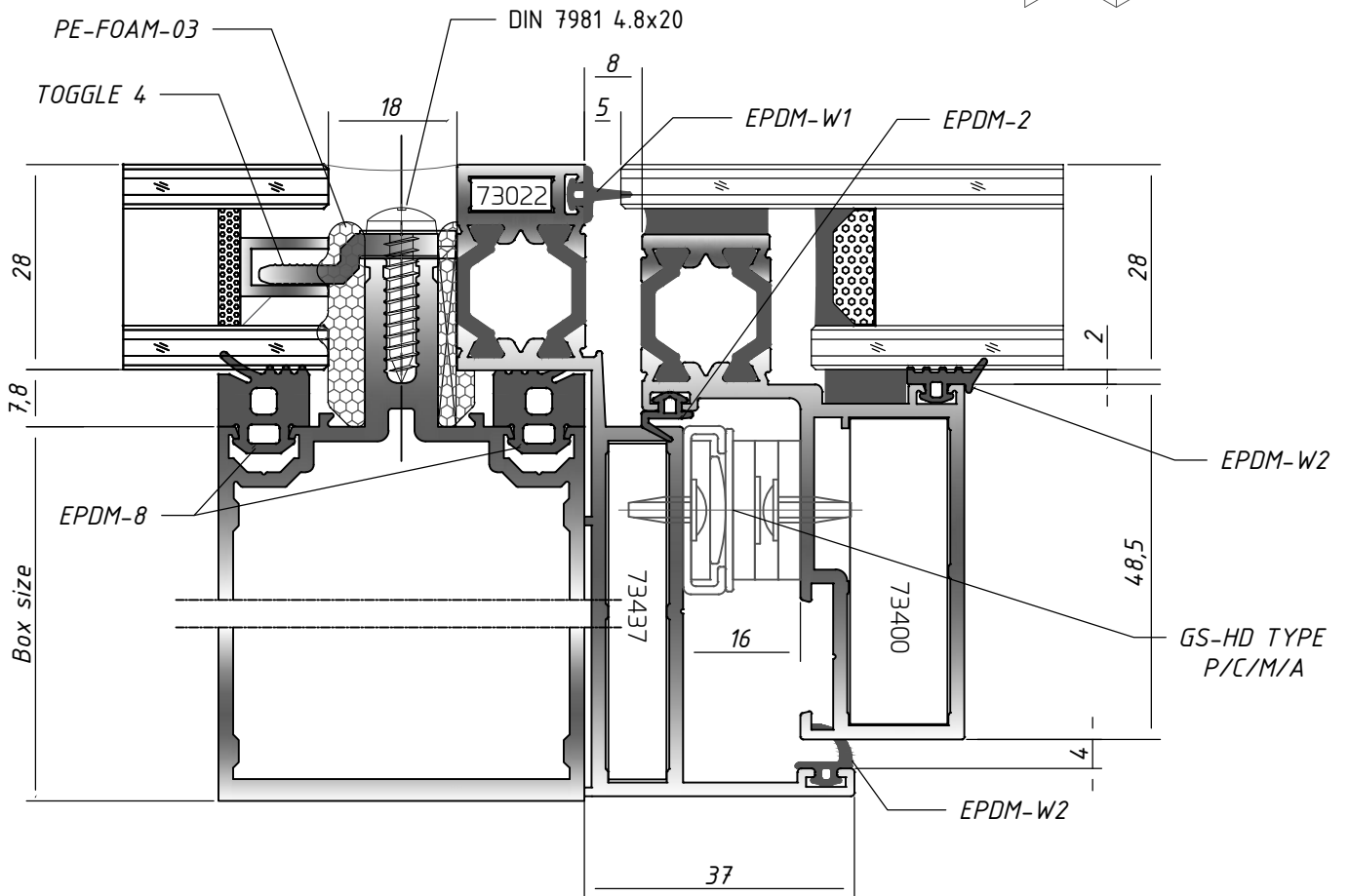
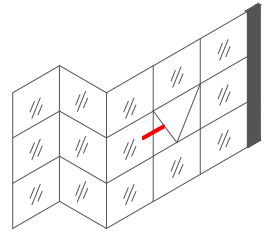
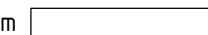
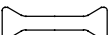

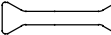

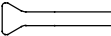

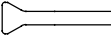
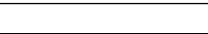
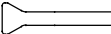
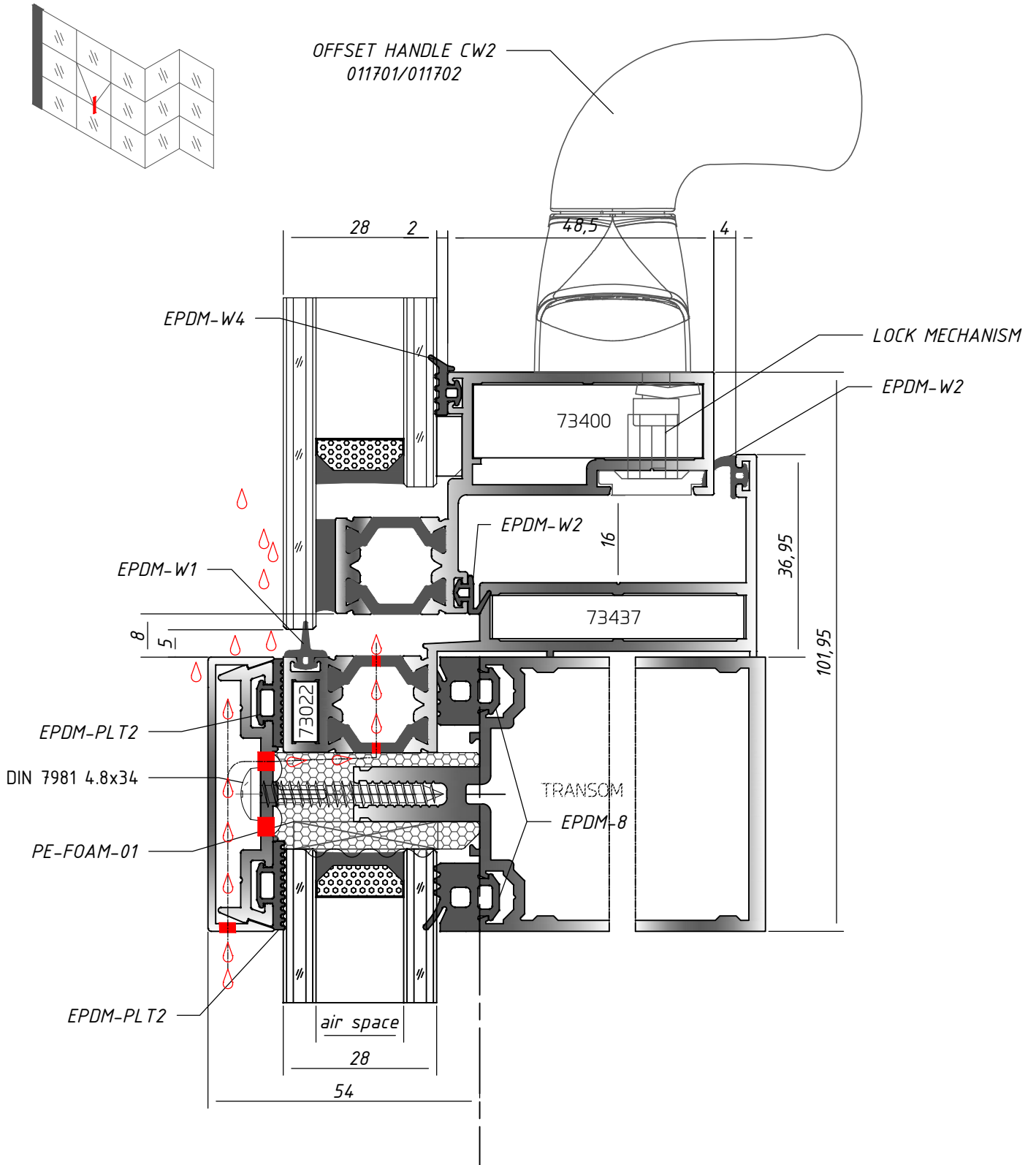


Operable window

TYPE 1A

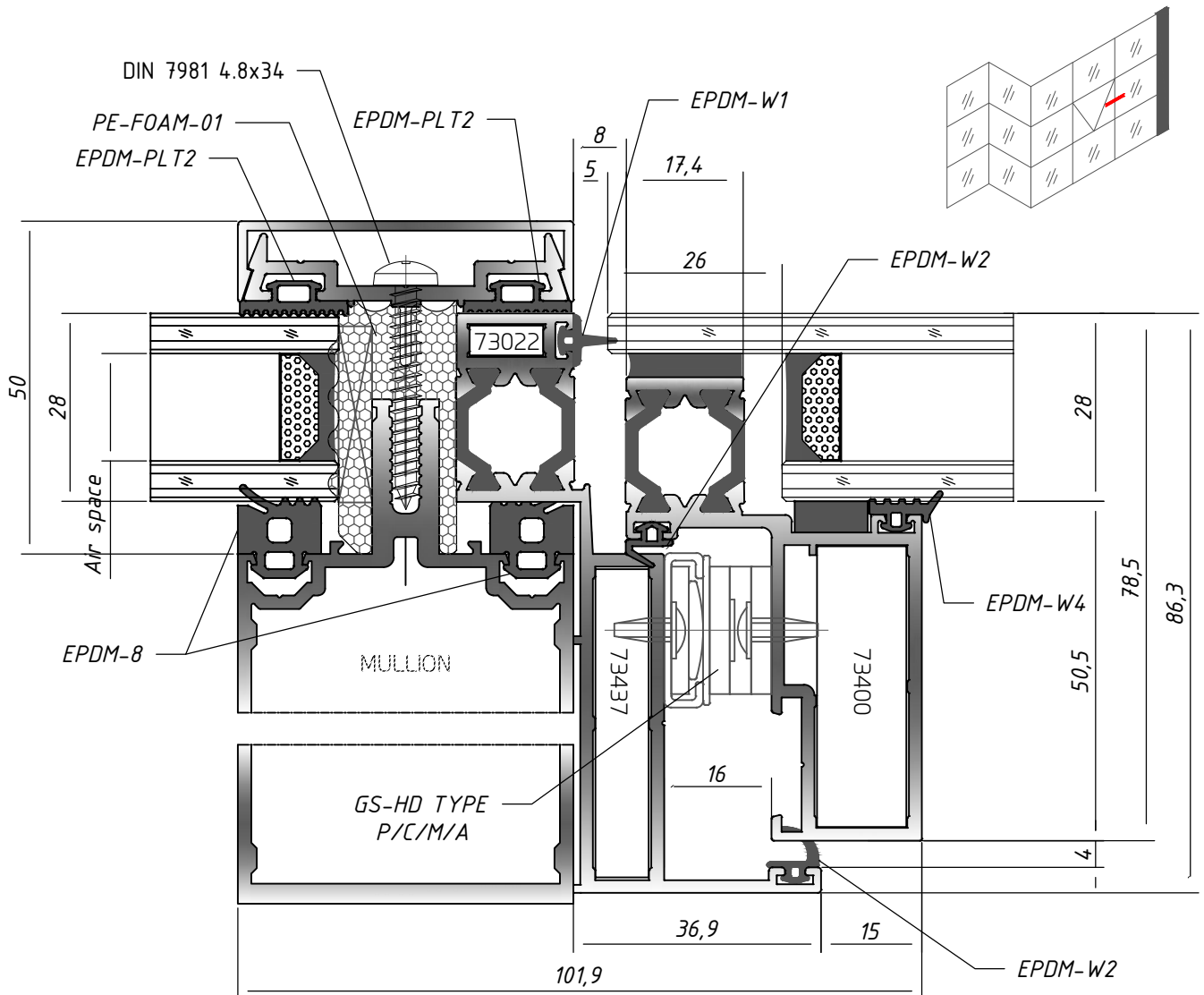


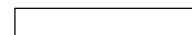
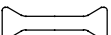

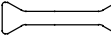

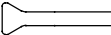

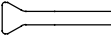
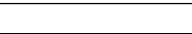
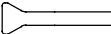
GLASS	THERMAL STRIP	FRAME	SASH
24 mm 	 14 mm	15046BA-14	15047BA-14
26 mm 	 16 mm	15046BA-16	15047BA-16
28 mm 	 18 mm	15046BA-18	15047BA-18
30 mm 	 20 mm	15046BA-20	15047BA-20
32 mm 	 22 mm	15046BA-20	15047BA-20

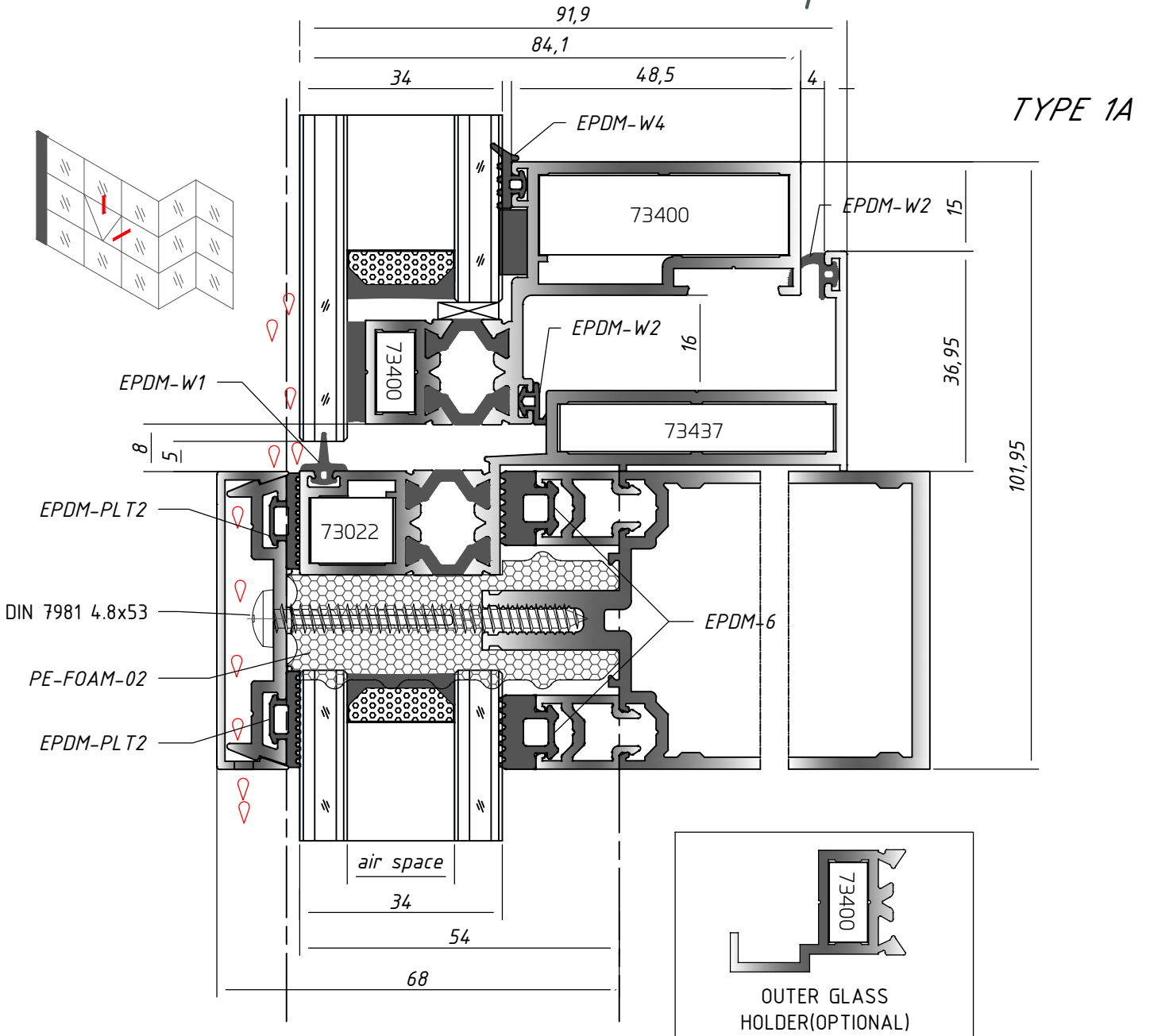


Operable window

TYPE 1A



GLASS	THERMAL STRIP	FRAME	SASH
24 mm 	 14 mm	15046BA-14	15047BA-14
26 mm 	 16 mm	15046BA-16	15047BA-16
28 mm 	 18 mm	15046BA-18	15047BA-18
30 mm 	 20 mm	15046BA-20	15047BA-20
32 mm 	 22 mm	15046BA-20	15047BA-20



GLASS	THERMAL STRIP	FRAME	SASH-L	SASH-H
34 mm	14 mm	15046BC-14	15047BC-14	15047BD-14
36 mm	16 mm	15046BC-16	15047BC-16	15047BD-16
38 mm	18 mm	15046BC-18	15047BC-18	15047BD-18
40 mm	20 mm	15046BC-20	15047BC-20	15047BD-20
42 mm	22 mm	15046BC-22	15047BC-22	15047BD-22
44 mm	24 mm	15046BC-24	15047BC-24	15047BD-24
46 mm	26 mm	15046BC-26	15047BC-26	15047BD-26
48 mm	28 mm	15046BC-28	15047BC-28	15047BD-28
50 mm	30 mm	15046BC-30	15047BC-30	15047BD-30